

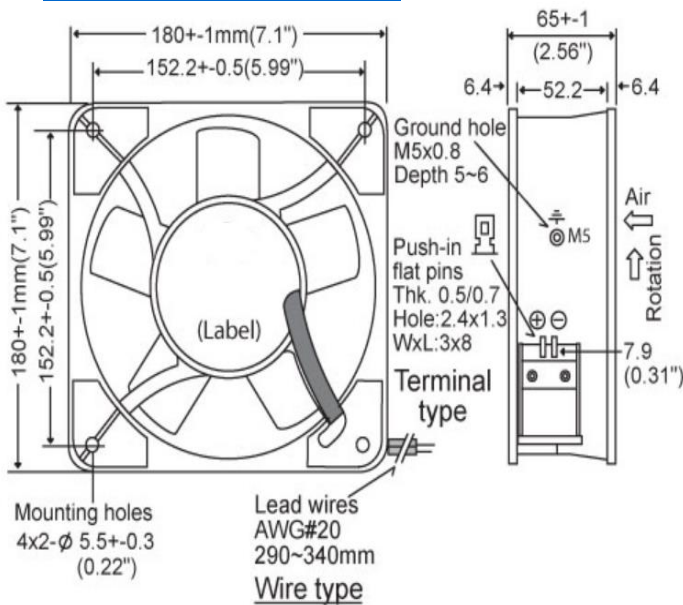


180x180x65 mm (7.08x7.08x2.55 in)

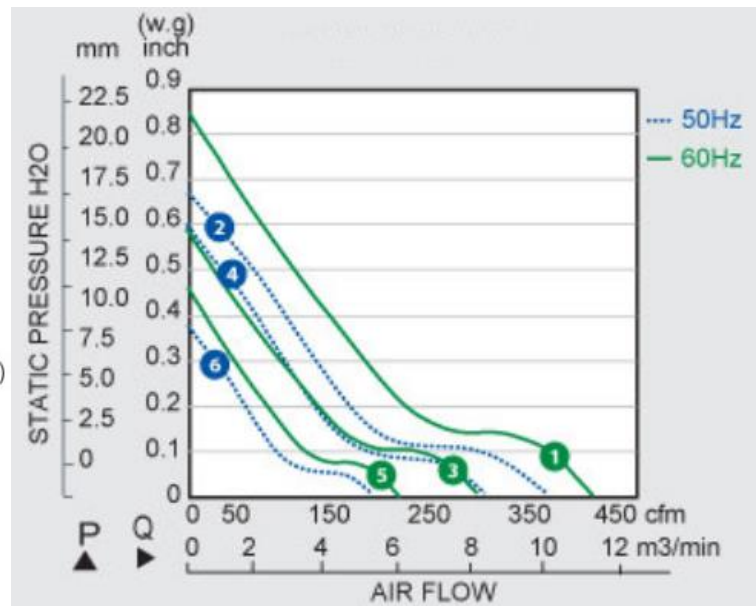


- Frame:** Die cast aluminum
- Impeller:** Plastic (UL 94V-0 P.B.T)
- Ambient Temperature Range:** -20°C ~ +70°C
- Operating Voltage Range:** Rated Voltage ±10%
- Bearing:** Ball bearing
- Motor Structure:** Capacitor induction
- Motor protection:** Thermally protected
- Termination:** Terminals or Lead wire
- Weight:** 1800g / PC

Dimension (units:mm)



Characteristic Curves



SPECIFICATION

Model	Voltage (V)	Freq. (Hz)	Power (W)	Speed (RPM)	Air Flow (CFM)	Pressure (mm Aq)	Noise (dB)
CY11865HB	115	50/60	60/70	2800/3200	355/405	16.76/21.08	60
CY21865HB	230	50/60	60/70	2800/3200	355/405	16.76/21.08	60

AC Axial Fan