



180x180x90 mm (7.08x7.08x3.54 in)



Frame: Die cast aluminum

Impeller: Plastic (UL 94V-0 P.B.T)

Ambient Temperature Range: -20°C ~ +70°C

Operating Voltage Range: Rated Voltage $\pm 10\%$

Bearing: Ball & Sleeve bearing

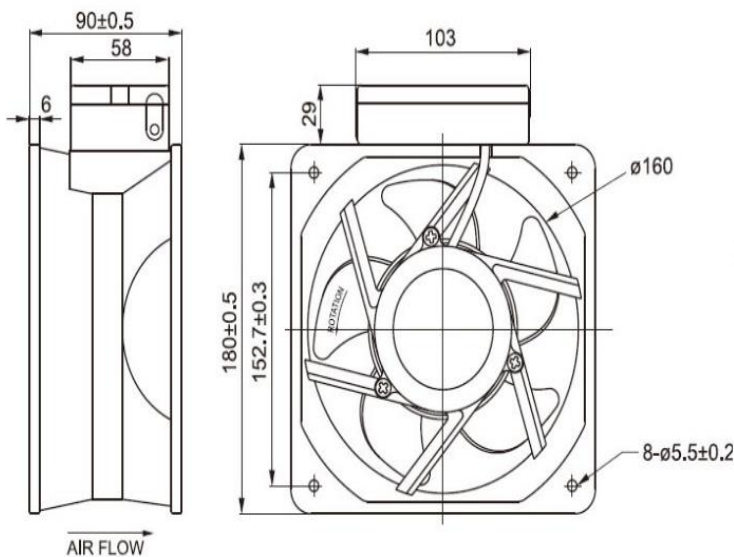
Motor Structure: Capacitor induction

Motor protection: Thermally or Impedance protected

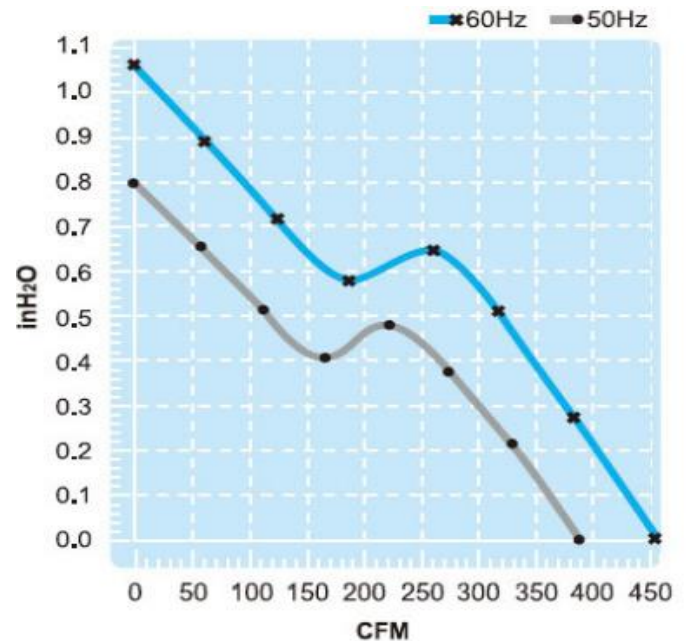
Termination: Terminals or Lead wire

Weight: 2200g / PC

Dimension (units:mm)



Characteristic Curves



SPECIFICATION

Model	Voltage (V)	Freq. (Hz)	Current (A)	Power (W)	Speed (RPM)	Air Flow (CFM)	Pressure (mm Aq)	Noise (dB)
CY11890HB	115	50/60	0.88/0.63	78/72	2850/3400	390/460	20/27	54/59
CY21890HB	230	50/60	0.42/0.31	75/72	2850/3400	390/460	20/27	54/59