



ø254x89 mm
(ø10x3.5 in)



Frame: Die cast aluminum

Impeller: Plastic (UL 94V-0 P.B.T)

Ambient Temperature Range: -20°C ~ +65°C

Operating Voltage Range: Rated Voltage ±10%

Bearing: Ball bearing

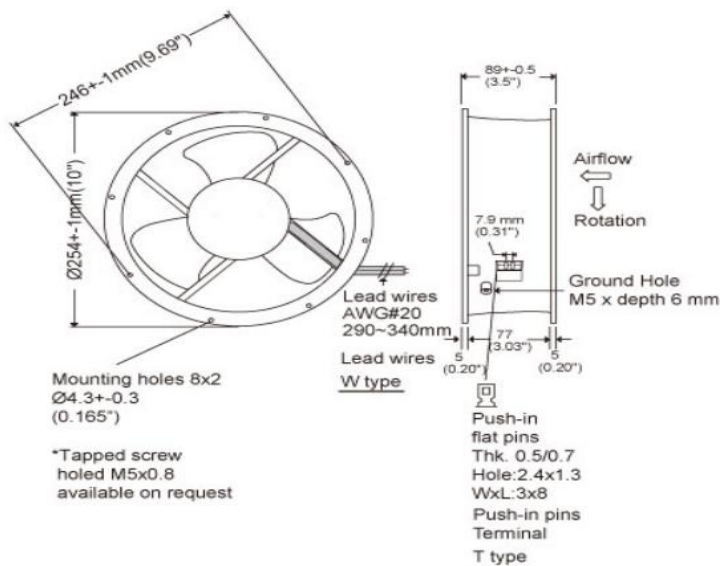
Motor Structure: Capacitor induction

Motor protection: Thermally protected

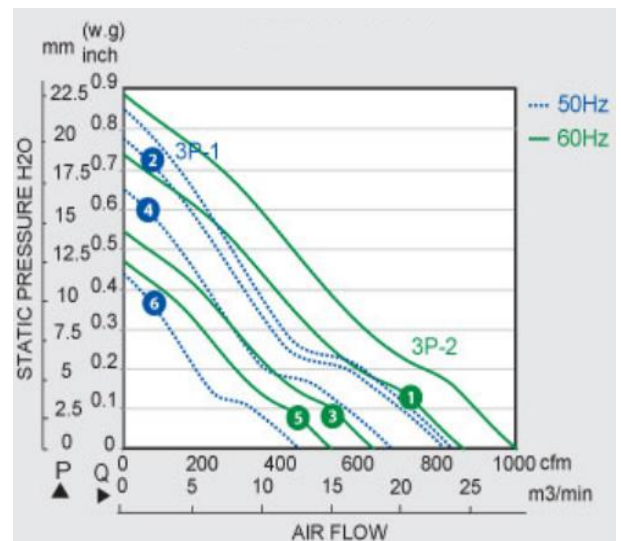
Termination: Terminals or Lead wire

Weight: 2460g / PC

Dimension (units:mm)



Characteristic Curves



SPECIFICATION

| Model | Voltage (V) | Freq. (Hz) | Power (W) | Speed (RPM) | Air Flow (CFM) | Pressure (mm Aq) | Noise (dB) |
|-----------|-------------|------------|-----------|-------------|----------------|------------------|------------|
| CY12589UB | 115 | 50/60 | 60/75 | 2800/3150 | 880/1000 | 30.48/27.94 | 70 |
| CY12589XB | 115 | 50/60 | 60/75 | 2600/2700 | 820/860 | 19.81/18.54 | 65 |
| CY12589HB | 115 | 50/60 | 60/70 | 2100/1950 | 680/630 | 12.95/9.91 | 58 |
| CY22589UB | 230 | 50/60 | 60/75 | 2800/3150 | 880/1000 | 30.48/27.94 | 70 |
| CY22589XB | 230 | 50/60 | 60/75 | 2600/2700 | 820/860 | 19.81/18.54 | 65 |
| CY22589HB | 230 | 50/60 | 60/70 | 2100/1950 | 680/630 | 12.95/9.91 | 58 |