

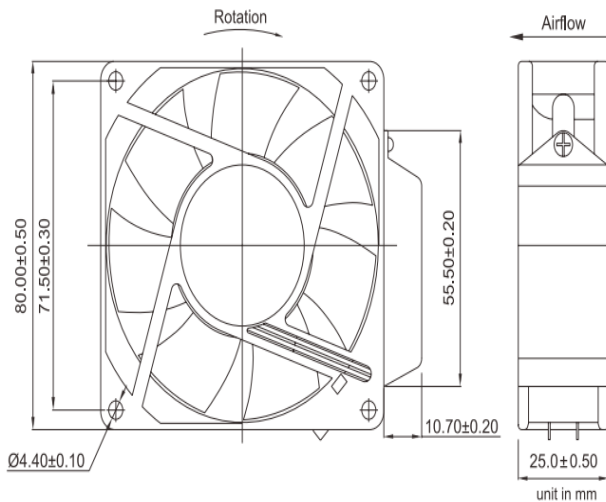


80x80x25 mm (3.14x3.14x0.98 in)

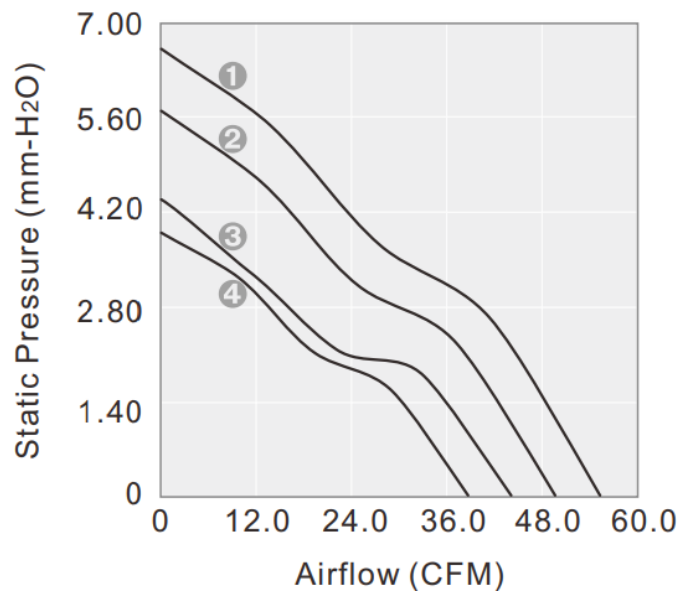


- Frame:** Die cast aluminum
- Impeller:** Plastic (UL 94V-0 P.B.T)
- Ambient Temperature Range:** -20°C ~ +70°C
- Operating Voltage Range:** Rated Voltage $\pm 10\%$
- Bearing:** Ball & Sleeve bearing
- Motor Structure:** DC Motor
- Motor protection:** Impedance
- Termination:** Lead wire or Terminals
- Weight:** 138g / PC

Dimension (units:mm)



Characteristic Curves



SPECIFICATION

Model	Voltage (V)	Freq. (Hz)	Current (A)	Power (W)	Speed (RPM)	Air Flow (CFM)	Pressure (mm Aq)	Noise (dB)
CY18025HB	115	50/60	0.16/0.19	3.4/4.3	3600/4000	49.6/55.1	5.7/6.6	42/45.5
CY28025HB	230	50/60	0.15/0.18	4.3/5.3	3600/4000	49.6/55.1	5.7/6.6	42/45.5