



# 80x80x38 mm (3.14x3.14x1.49 in)



**Frame:** Die cast aluminum

**Impeller:** Plastic

**Ambient Temperature Range:**

Ball: -20°C ~ +70°C, Sleeve: -10°C ~ +70°C

**Operating Voltage Range:** Rated Voltage  $\pm 10\%$

**Bearing:** Ball & Sleeve bearing

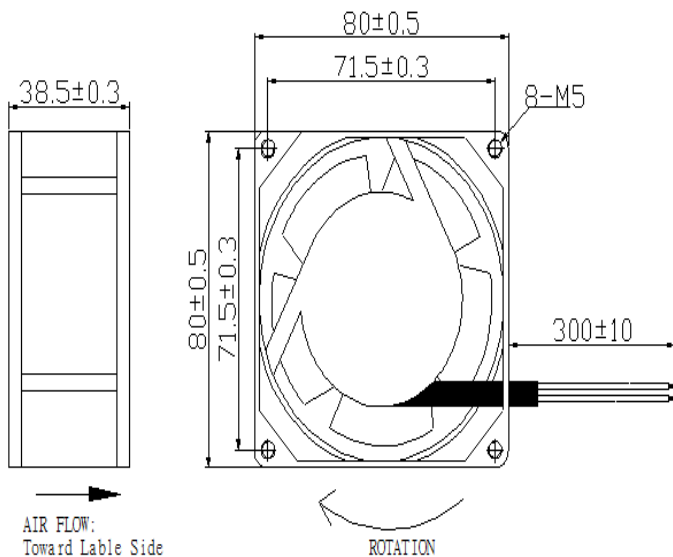
**Motor Structure:** Shaded pole

**Motor protection:** Impedance

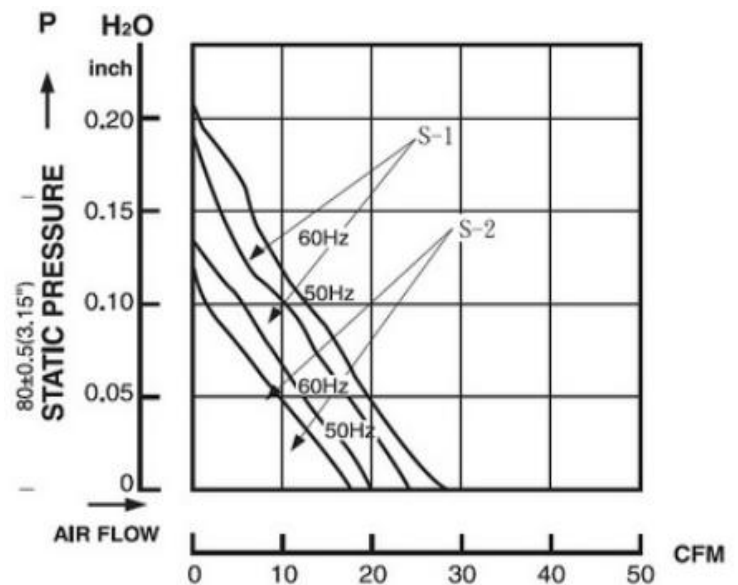
**Termination:** Lead wire or Terminals

**Weight:** 320g / PC

## Dimension (units:mm)



## Characteristic Curves



## SPECIFICATION

Model	Voltage (V)	Freq. (Hz)	Current (A)	Power (W)	Speed (RPM)	Air Flow (CFM)	Pressure (mm Aq)	Noise (dB)
CY18038HB	115	50/60	0.14/0.12	13/12	2300/2700	26/30	4.31/6.09	30/35
CY28038HB	230	50/60	0.1/0.08	13/12	2300/2700	26/30	4.31/6.09	30/35