



92x92x25 mm (3.62x3.62x0.98 in)



Frame: Die cast aluminum

Impeller: Plastic

Ambient Temperature Range:

Ball: -20°C ~ +70°C, Sleeve: -10°C ~ +70°C

Operating Voltage Range: Rated Voltage $\pm 10\%$

Bearing: Ball & Sleeve bearing

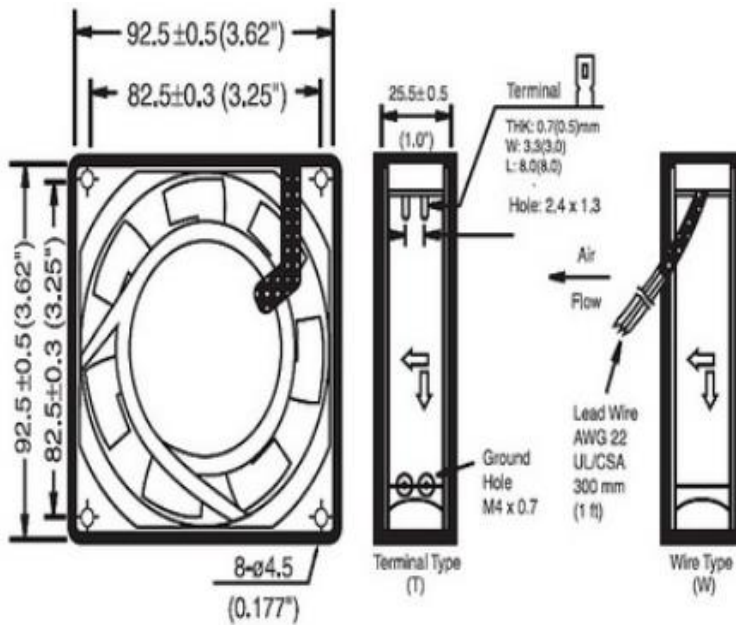
Motor Structure: Shaded pole

Motor protection: Impedance

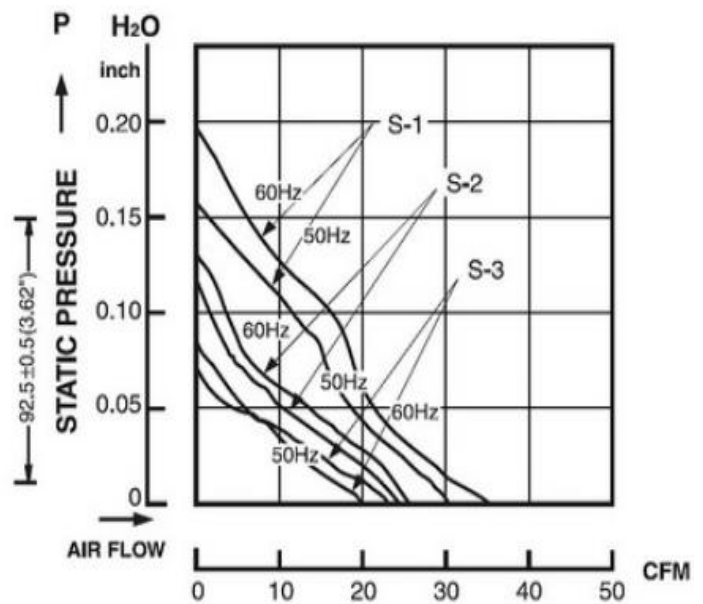
Termination: Lead wire or Terminals

Weight: 250g / PC

Dimension (units:mm)



Characteristic Curves



SPECIFICATION

Model	Voltage (V)	Freq. (Hz)	Current (A)	Power (W)	Speed (RPM)	Air Flow (CFM)	Pressure (mm Aq)	Noise (dB)
CY19225HB	115	50/60	0.21/0.2	19/17	2400/2800	30/36	4/5.08	35/37
CY29225HB	230	50/60	0.1/0.09	19/17	2400/2800	30/36	4/5.08	35/37

AC Axial Fan