

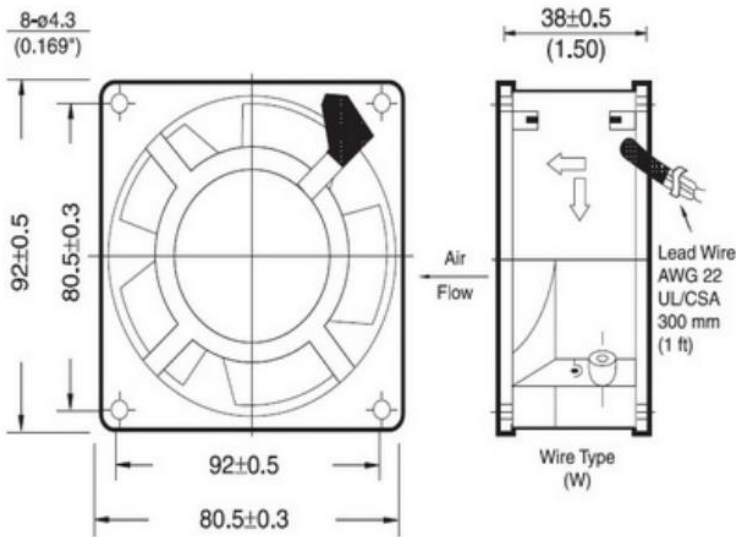


92x92x38 mm (3.62x3.62x1.49 in)

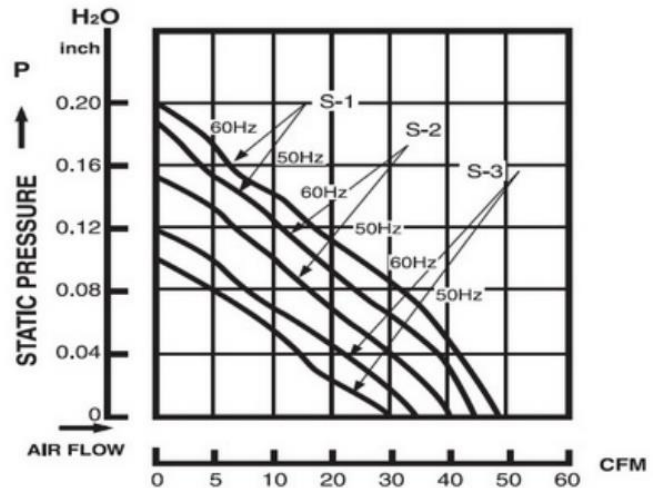


- Frame:** Die cast aluminum
- Impeller:** Plastic (UL 94V-0 P.B.T)
- Ambient Temperature Range:** -20°C ~ +70°C
- Operating Voltage Range:** Rated Voltage ±10%
- Bearing:** Ball & Sleeve bearing
- Motor Structure:** Shaded Pole
- Motor protection:** Impedance
- Termination:** Lead wire
- Weight:** 430g / PC

Dimension (units:mm)



Characteristic Curves



SPECIFICATION

Model	Voltage (V)	Freq. (Hz)	Current (A)	Power (W)	Speed (RPM)	Air Flow (CFM)	Pressure (mm Aq)	Noise (dB)
CY19238HB	115	50/60	0.15/0.12	10/9	2700/3000	40/45	4.31/5.08	35/37
CY29238HB	230	50/60	0.15/0.12	16/13	2700/3000	40/45	4.32/5.08	35/37