



# □172x150x51 mm (□6.77x6x2 in)



**Frame:** Die cast aluminum

**Impeller:** Plastic UL94V-0, 7 impellers

**Ambient Temperature Range:** -20°C ~ +70°C

**Operating Voltage Range:** Rated Voltage ±10%

**Bearing:** Ball

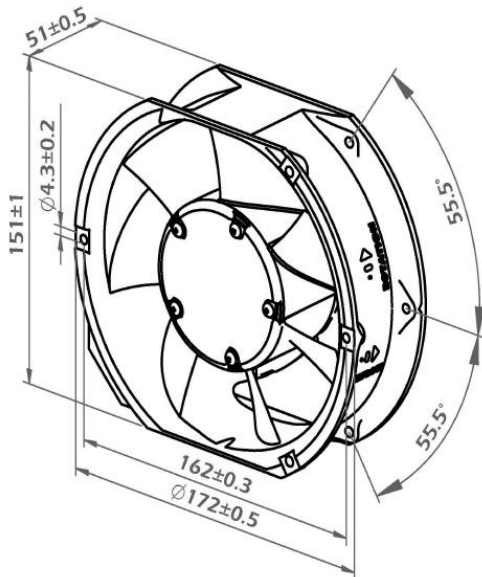
**Motor Structure:** AC Induction Capacitor

**Motor protection:** Thermal Protected

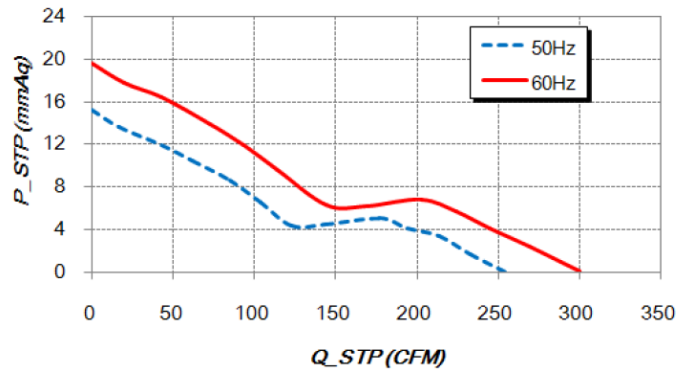
**Termination:** Terminals or Lead wire

**Package:** 1040g/PC, 12PCS / CTN, 41x39x21cm

## Dimension (units:mm)



## Characteristic Curves



## SPECIFICATION

| Model     | Voltage (V) | Freq. (Hz) | Current (A) | Power (W) | Speed (RPM) | Air Flow (CFM) | Pressure (mmAq) | Noise (dB) |
|-----------|-------------|------------|-------------|-----------|-------------|----------------|-----------------|------------|
| CY11751UB | 115         | 50/60      | 0.41/0.35   | 41/40     | 2800/3200   | 255/300        | 15.2/19.6       | 55/61      |
| CY21751UB | 230         | 50/60      | 0.19/0.17   | 39/40     | 2800/3200   | 255/300        | 15.2/19.6       | 55/61      |