



# ø172x51 mm (ø6.8x2 in)



**Frame:** Die cast aluminum

**Impeller:** Plastic UL94V-0 7 impellers

**Ambient Temperature Range:** -20°C ~ +70°C

**Operating Voltage Range:** Rated Voltage ±10%

**Bearing:** Ball

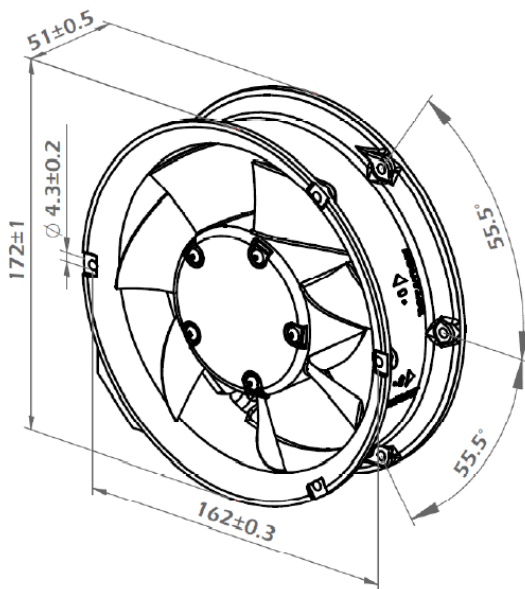
**Motor Structure:** AC Induction Capacitor

**Motor protection:** Thermally Protected

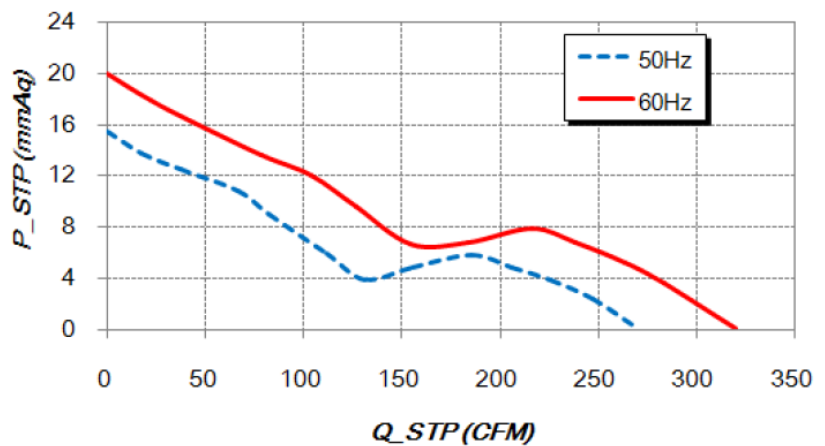
**Termination:** Terminal or lead wire

**Package:** 1040g/ PC 12pcs/ CTN 41x39x21cm

## Dimension (units:mm)



## Characteristic Curves



## SPECIFICATION

Model	Voltage (V)	Freq. (Hz)	Current (A)	Power (W)	Speed (RPM)	Air Flow (CFM)	Pressure (mmAq)	Noise (dB)
CY11751UB	115	50/60	0.41/0.35	41/40	2800/3200	270/320	15.5/20	55/61
CY21751UB	230	50/60	0.19/0.17	39/40	2800/3200	270/320	15.5/20	55/61

AC Axial Fan