



□120x120x38 mm
 (□4.7x4.7x1.5 in)



Frame: Die cast aluminum

Impeller: Steel

Ambient Temperature Range: -10°C ~ +70°C

Operating Voltage Range: Rated Voltage ±10%

Bearing: Ball bearing

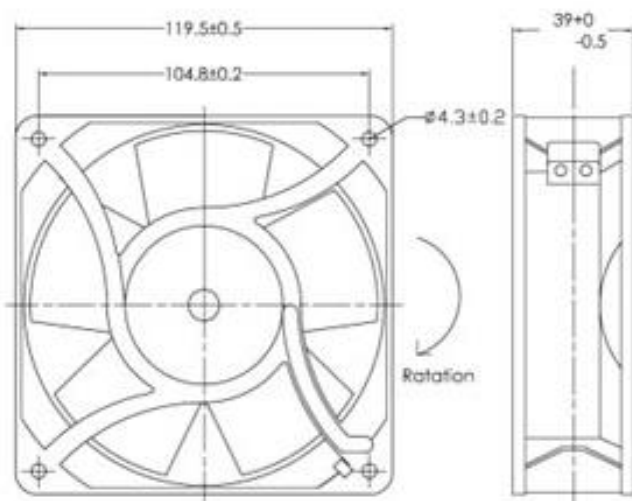
Motor Structure: AC External rotor Capacitor Motor

Motor protection: Impedance Protected

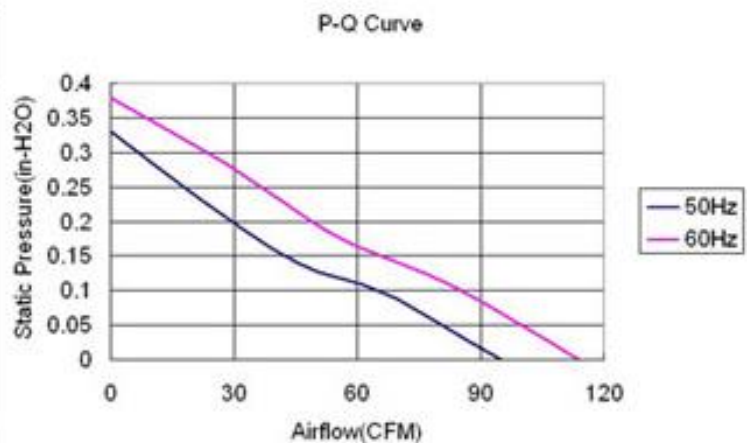
Termination: Terminals or Lead wire 310± 15mm

Package: 534g / PC

Dimension (units:mm)



Characteristic Curves



AC Axial Fan

SPECIFICATION

Model	Voltage (V)	Freq. (Hz)	Current (A)	Power (W)	Speed (RPM)	Air Flow (CFM)	Pressure (mmAq)	Noise (dB)
CYM11238HB	115	50/60	0.13/0.11	12.5/11	2750/3250	105/123	7.11/8.89	47/49
CYM21238HB	230	50/60	0.06/0.06	12.5/11.5	2650/3150	103/120	7.11/8.89	47/49