



□127x127x38.5mm (□5x5x1.5 in)



Frame: Die cast aluminum

Impeller: Steel metal fan blades.

Ambient Temperature Range: -30°C ~ +80°C

Operating Voltage Range: Rated Voltage ±10%

Bearing: Ball bearing

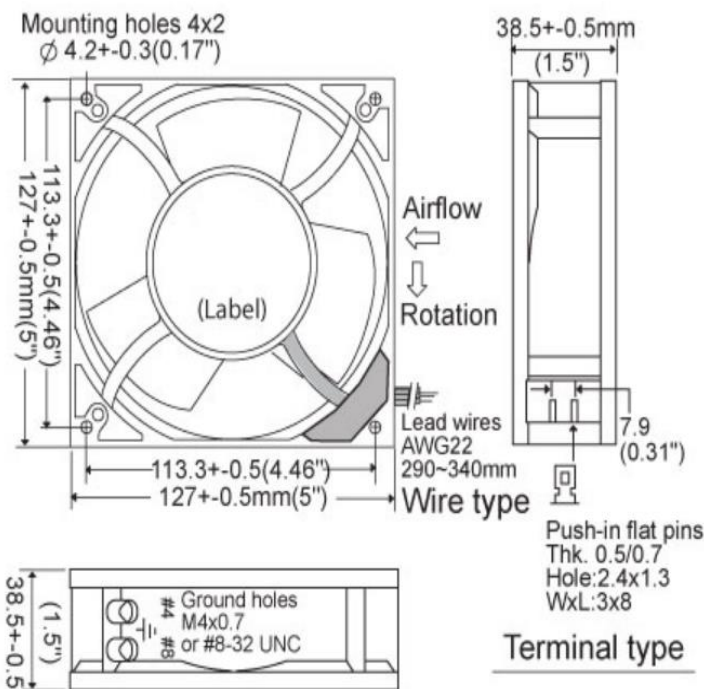
Motor Structure: Shaded pole induction, single phase

Motor protection: Impedance Protected

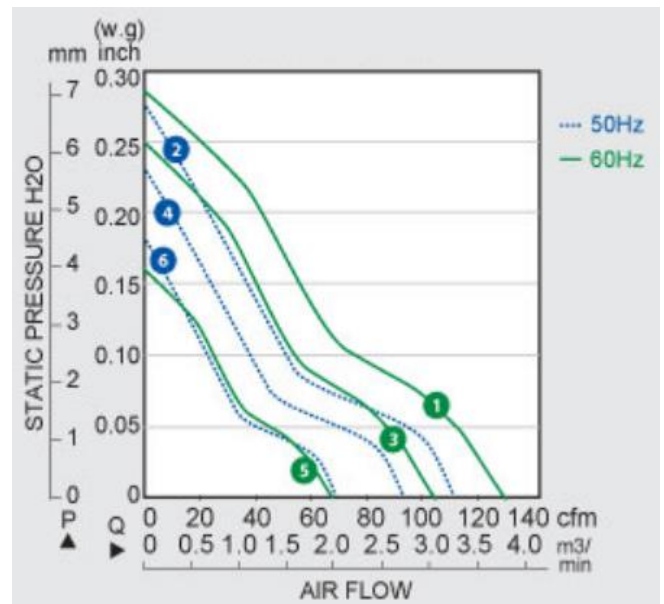
Termination: Terminals or Lead wire

Package: 630g / PC

Dimension (units:mm)



Characteristic Curves



SPECIFICATION

Model	Voltage (V)	Freq. (Hz)	Power (W)	Speed (RPM)	Air Flow (CFM)	Pressure (mm Aq)	Noise (dB)
CYM11338HB	115	50/60	29/26	2600/2950	110/128	6.86/7.37	48
CYM21338HB	230	50/60	29/26	2600/2950	110/128	6.86/7.37	48