



□172x150x38 mm
 (□6.77x6x1.5 in)



Frame: Die cast aluminum, Painted Black

Impeller: Steel(black)

Ambient Temperature Range: -20°C ~ +70°C

Operating Voltage Range: Rated Voltage ±10%

Bearing: Ball bearing (UL approval)

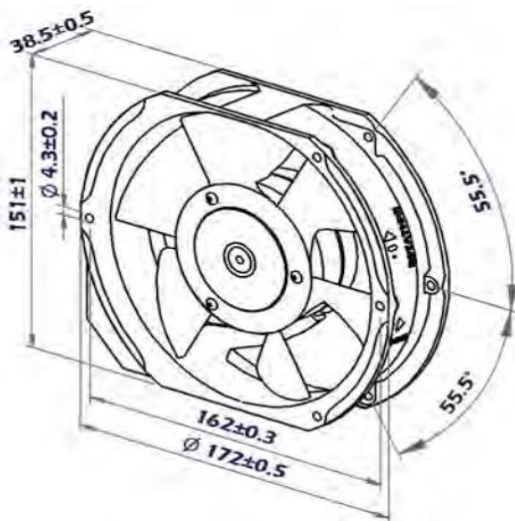
Motor Structure: AC Induction Capacitor Motor (optional IP54. IP56. IP67)

Motor protection: Thermal Protected (Auto Restart)

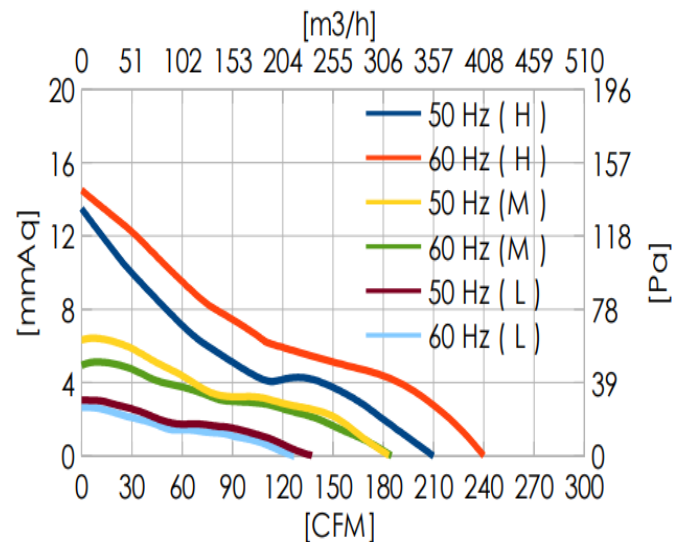
Termination: Terminals or Lead wire

Package: 820g / PC

Dimension (units:mm)



Characteristic Curves



SPECIFICATION

Model	Voltage (V)	Freq. (Hz)	Current (A)	Power (W)	Speed (RPM)	Air Flow (CFM)	Pressure (mm Aq)	Noise (dB)	UL
CYM11738HB	115	50/60	0.25/0.21	27/25	2700/3100	210/240	13.5/14.5	53/59	✓
CYM21738HB	230	50/60	0.11/0.12	26/27	2700/3100	210/240	13.5/14.5	53/59	✓
CYM31738HB	380	50/60	0.06	22/23	2600/3000	200/230	12/11	52/58	
CYM41738HB	480	50/60	0.07	33/31	2600/3000	210/240	13.5/14.5	52/58	
CYM21738HB(3φ)	230	50/60	0.11/0.08	23/22	2700/3100	210/240	13.5/14.5	53/59	