



□172x150x51 mm
 (□6.77x6x2 in)



Frame: Die cast aluminum

Impeller: Steel

Ambient Temperature Range: -20°C ~ +70°C

Operating Voltage Range: Rated Voltage ±10%

Bearing: Ball (UL approval)

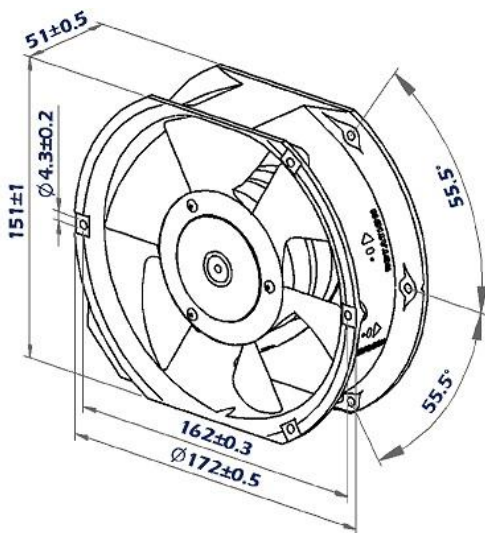
Motor Structure: AC Induction Capacitor/Three-phase

Motor protection: Thermal Protected (Auto Restart) optional IP54,IP56,IP67

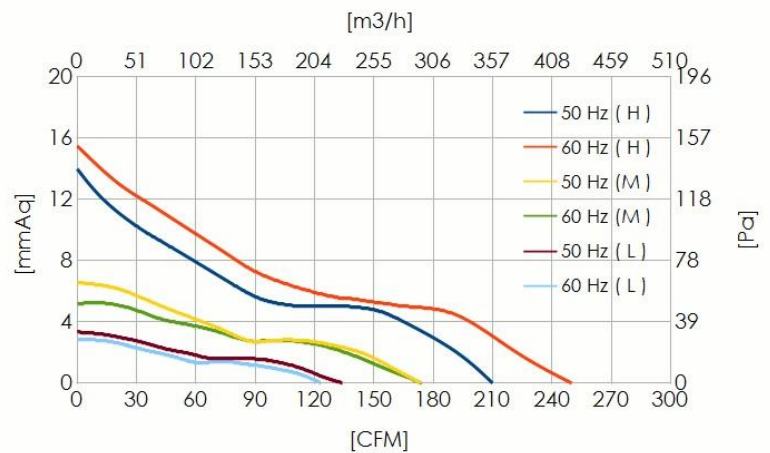
Termination: Terminals or Lead wire 300mm

Weight: *1080g 940g / PC

Dimension (units:mm)



Characteristic Curves



SPECIFICATION

Model	Voltage (V)	Freq. (Hz)	Current (A)	Power (W)	Speed (RPM)	Air Flow (CFM)	Pressure (mm Aq)	Noise (dB)	UL
*CYM11751SB	115	50/60	0.27/0.23	26/26	2800/3300	230/270	16.5/20	55/61	✓
*CYM21751SB	230	50/60	0.1/0.11	23/26	2800/3300	230/270	16.5/20	55/61	✓
CYM11751HB	115	50/60	0.25/0.21	27/25	2700/3100	210/250	14/15.5	53/59	✓
CYM21751HB	230	50/60	0.11/0.12	26/27	2700/3100	210/250	14/15.5	53/59	✓
CYM31751HB	380	50/60	0.06	22/23	2600//3000	200/230	12/11	52/58	
*CYM41738SB	480	50/60	0.07	33/31	2600//3000	210/240	12/11	53/59	

Customized voltage are available such as 100v,200v & 380v



□172x150x51 mm
(□6.77x6x2 in)



SPECIFICATION

Model	Voltage (V)	Freq. (Hz)	Current (A)	Power (W)	Speed (RPM)	Air Flow (CFM)	Pressure (mm Aq)	Noise (dB)	TÜV UL
CYM21751SB(3 ϕ)	230	50/60	0.07/0.06	15/18	2800/3150	218/246	16.8/19	55/59	
CYM21751HB(3 ϕ)	230	50/60	0.11/0.08	23/22	2750/3150	210/250	14/15.5	53/59	
CYM31751HB(3 ϕ)	380	50/60	0.05/0.04	19/21	2600/3200	203/235	15.7/18.1	52/58	
CYM31751SB(3 ϕ)	440	50/60	0.06/0.05	21/22	2850/3300	215/242	16.3/18.7	53/59	
CYM41751SB(3 ϕ)	480	50/60	0.06/0.05	26/25	2800/3300	220/260	16.5/20	55/61	