



□172x150x55 mm (□6.77x6x2 in)



Frame: Die cast aluminum, Painted Black

Impeller: Steel

Ambient Temperature Range: -20°C ~ +70°C

Operating Voltage Range: Rated Voltage ±10%

Bearing: Ball bearing (UL approval)

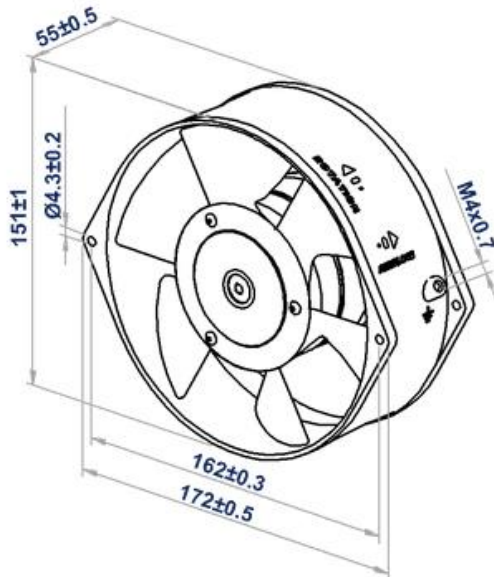
Motor Structure: AC Induction Capacitor

Motor protection: Thermal Protected(Auto Restart) optional IP54,IP56,IP67

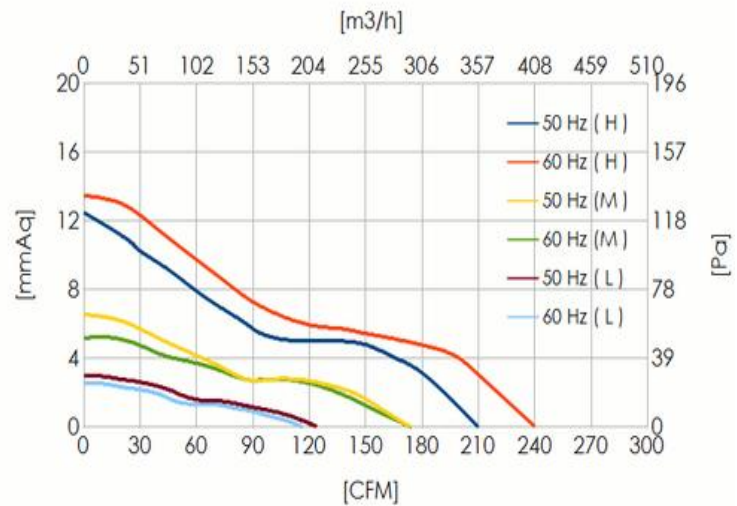
Termination: Terminals or Lead wire

Package: 980g/ PC

Dimension (units:mm)



Characteristic Curves



SPECIFICATION

Model	Voltage (V)	Freq. (Hz)	Current (A)	Power (W)	Speed (RPM)	Air Flow (CFM)	Pressure (mmAq)	Noise (dB)	UL
CYM11755SB	115	50/60	0.27/0.23	26/26	2800/3300	210/240	13.5/17.5	55/61	
CYM21755SB	230	50/60	0.1/0.11	23/26	2800/3300	210/240	13.5/17.5	55/61	
CYM11755HB	115	50/60	0.25/0.21	27/25	2700/3100	210/240	12.5/13.5	53/59	✓
CYM21755HB	230	50/60	0.11/0.12	26/27	2700/3100	210/240	12.5/13.5	53/59	✓
CYM31755HB	380	50/60	0.06	22/23	2600/3000	200/230	12/11	52/58	
CYM41755SB	480	50/60	0.07	33/31	2600/3000	210/240	12.5/13.5	57/61	