



∅172x51 mm
(∅6.77x2 in)



Frame: Die cast aluminum

Impeller: Steel

Ambient Temperature Range: -20°C ~ +70°C

Operating Voltage Range: Rated Voltage ±10%

Bearing: Ball bearing (UL approval)

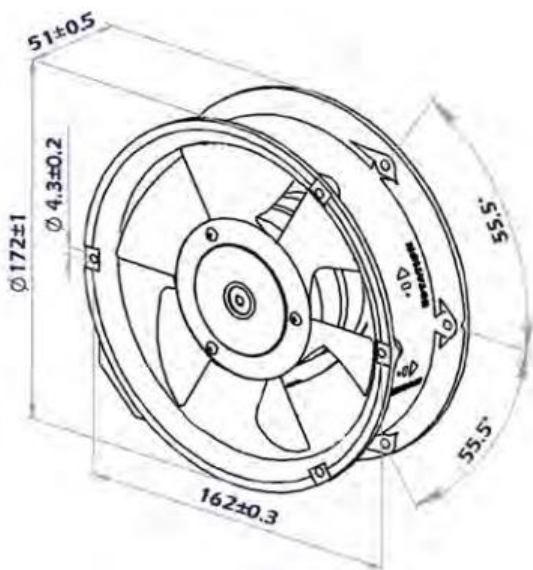
Motor Structure: AC Induction Capacitor Motor optional IP54, IP56, IP67

Motor protection: Thermal Protected

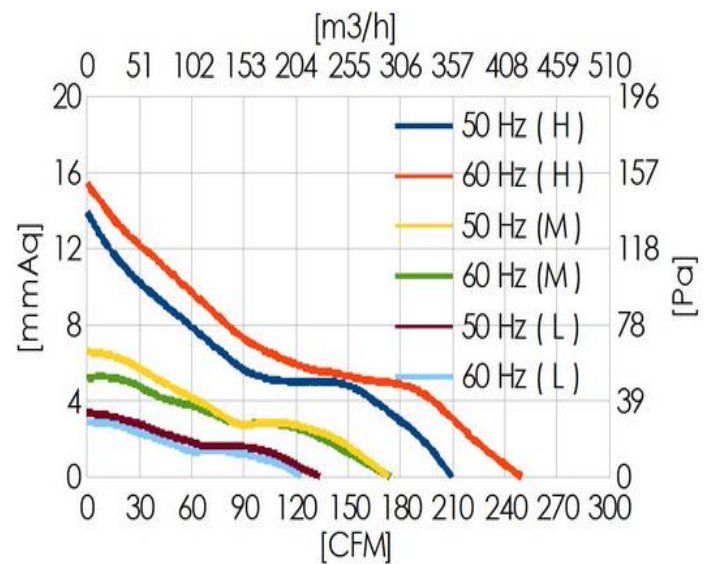
Termination: Terminals or Lead wire

Package: *1080g 940/ PC

Dimension (units:mm)



Characteristic Curves



SPECIFICATION

Model	Voltage (V)	Freq. (Hz)	Current (A)	Power (W)	Speed (RPM)	Air Flow (CFM)	Pressure (mmAq)	Noise (dB)	UL
*CYM11751SB∅	115	50/60	0.27/0.23	26/26	2800/3300	230/270	16.5/20	55/61	✓
*CYM21751SB∅	230	50/60	0.1/0.11	23/26	2800/3300	230/270	16.5/20	55/61	✓
CYM11751HB∅	115	50/60	0.25/0.21	27/25	2700/3100	210/250	14/15.5	53/59	
CYM21751HB∅	230	50/60	0.11/0.12	26/27	2700/3100	210/250	14/15.5	53/59	
CYM31751HB∅	380	50/60	0.06	22/23	2600/3000	200/230	12/11	52/58	
*CYM41751SB∅	440	50/60	0.07	33/31	2600/3000	210/240	12/11	53/59	

AC Axial Fan