



□176x176x89 mm (□7x7x3.5 in)



Frame: Die cast aluminum

Impeller: Steel metal fan blades

Ambient Temperature Range: -30°C ~ +80°C

Operating Voltage Range: Rated Voltage ±10%

Bearing: Ball bearing

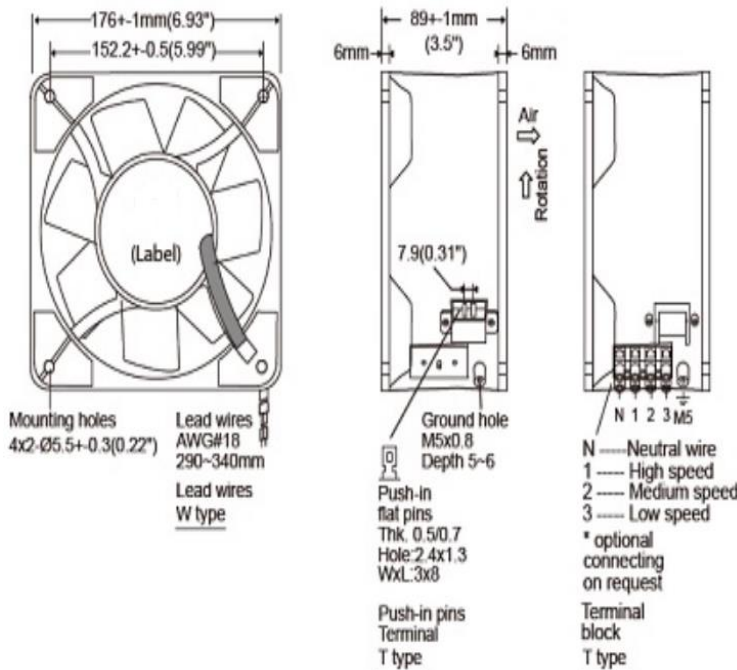
Motor Structure: Capacitor induction, single phase

Motor protection: Thermal Protected

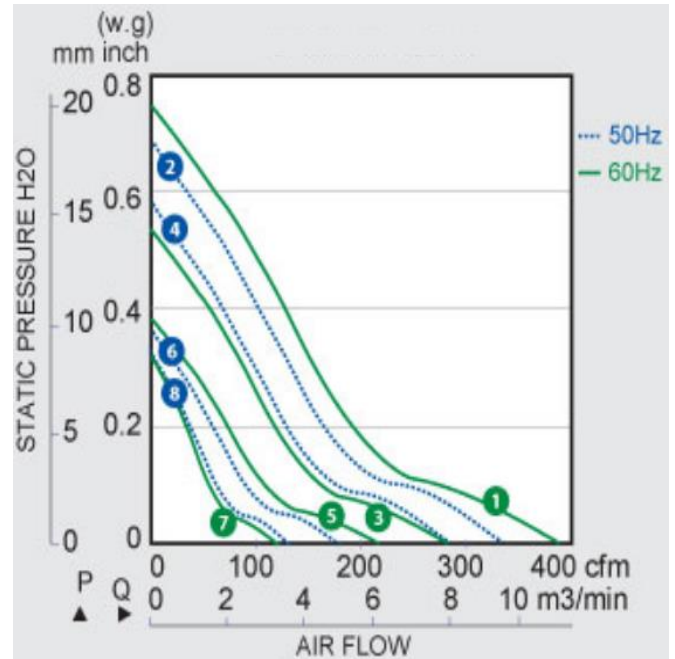
Termination: Terminals or Lead wire

Package: 1850g / PC

Dimension (units:mm)



Characteristic Curves



SPECIFICATION

Model	Voltage (V)	Freq. (Hz)	Power (W)	Speed (RPM)	Air Flow (CFM)	Pressure (mm Aq)	Noise (dB)
CYM11789HB	115	50/60	60/80	27500/3250	330/380	17.53/19.3	63
CYM21789HB	230	50/60	60/80	2750/3250	330/380	17.53/19.3	63