



# □180x180x65 mm (□7x7x2.5 in)



**Frame:** Die cast aluminum

**Impeller:** Metal fan blades

**Ambient Temperature Range:** -30°C ~ +80°C

**Operating Voltage Range:** Rated Voltage ±10%

**Bearing:** Ball bearing

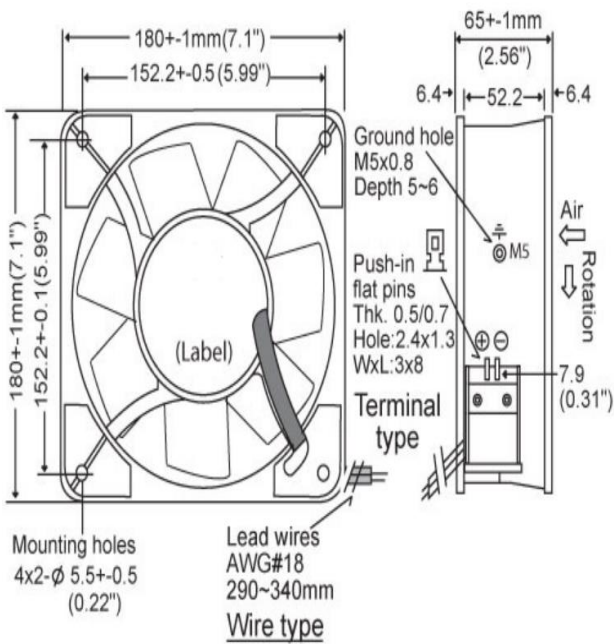
**Motor Structure:** Capacitor single phase

**Motor protection:** Thermal Protected

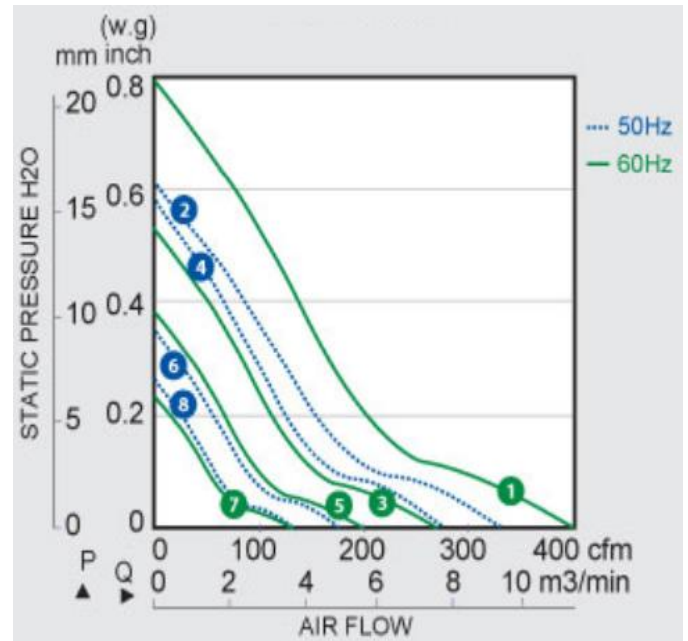
**Termination:** Terminals or Lead wire

**Package:** 1800g / PC

## Dimension (units:mm)



## Characteristic Curves



## SPECIFICATION

Model	Voltage (V)	Freq. (Hz)	Power (W)	Speed (RPM)	Air Flow (CFM)	Pressure (mm Aq)	Noise (dB)
CYM11865HB	115	50/60	60/80	2750/3250	330/400	15.24/20.32	65
CYM21865HB	230	50/60	60/80	2750/3250	330/400	19.05/20.32	65