



# □200x220x70 mm (□8x8.6x2.8in)



**Frame:** Die cast aluminum

**Impeller:** Steel metal fan blades

**Ambient Temperature Range:** -30°C ~ +80°C

**Operating Voltage Range:** Rated Voltage ±10%

**Bearing:** Ball bearing

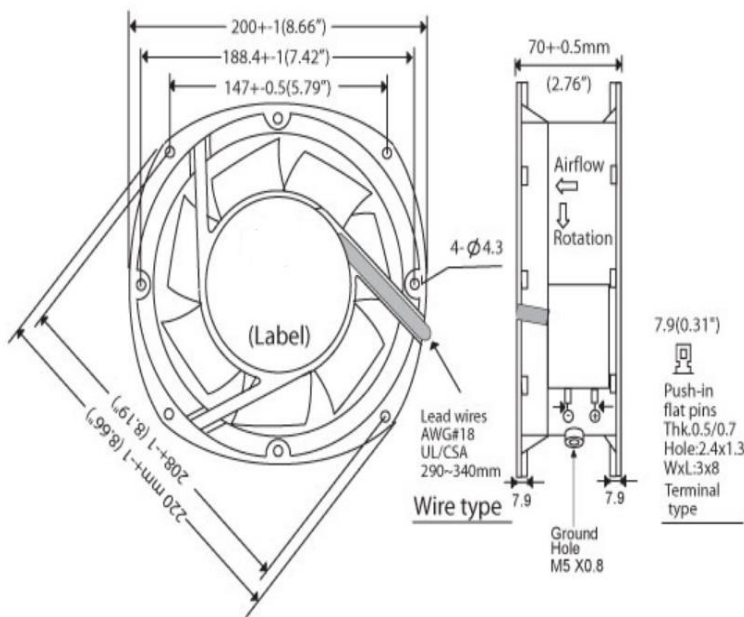
**Motor Structure:** Capacitor induction, single-phase

**Motor protection:** Thermal Protected

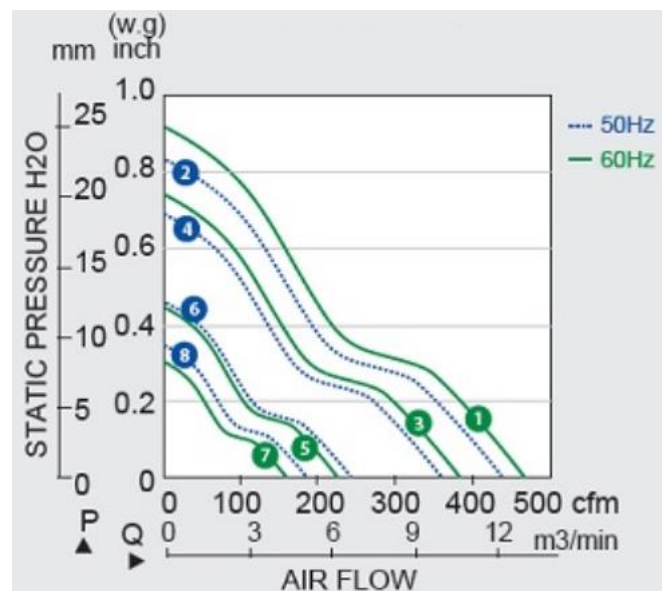
**Termination:** Terminals or Lead wire

**Package:** 2100g / PC

## Dimension (units:mm)



## Characteristic Curves



## SPECIFICATION

Model	Voltage (V)	Freq. (Hz)	Power (W)	Speed (RPM)	Air Flow (CFM)	Pressure (mm Aq)	Noise (dB)
CYM12070HB	115	50/60	95/105	2800/3300	430/485	20.83/23.62	68
CYM22070HB	230	50/60	95/105	2800/3300	430/485	20.83/23.62	68