



□225x225x80 mm (□9x9x3.1 in)



Frame: Die cast aluminum

Impeller: Steel-sheet metal fan blades

Ambient Temperature Range: -30°C ~ +80°C

Operating Voltage Range: Rated Voltage ±10%

Bearing: Double NSK Ball bearings are inner set

Motor Structure: External rotor motor

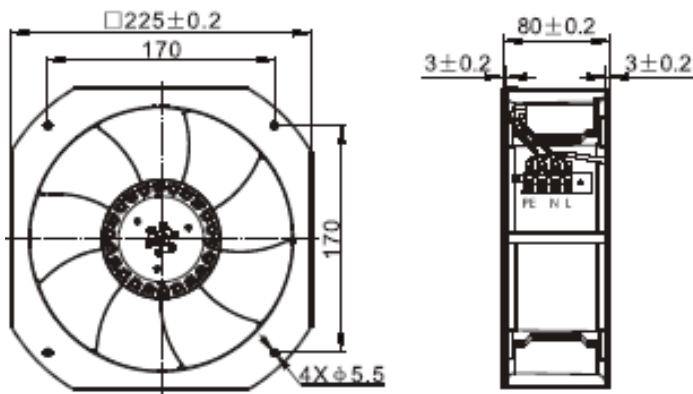
Motor protection: Thermal Protected

Termination: PA-10

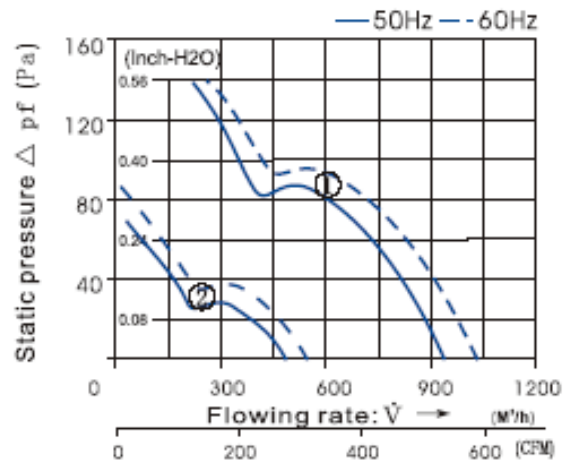
Protection Grade: IP44

Package: 2200g / PC

Dimension (units:mm)



Characteristic Curves



SPECIFICATION

Model	Voltage (V)	Freq. (Hz)	Current (A)	Power (W)	Speed (RPM)	Air Flow (CFM)	Pressure (mm Aq)	Noise (dB)
CYM12280HBT	115	50/60	0.6/0.64	65/75	2550/2750	546/596	10.19/12.23	59/61
CYM22280HBT	230	50/60	0.3/0.34	65/77	2550/2750	546/596	10.19/12.23	59/61
CYM22280MBT	230	50/60	0.13/0.12	27/27	1350/1600	254/313	5.09/5.09	40/44