



Ø254x89 mm
(Ø10x3.5 in)



Frame: Die cast aluminum

Impeller: Steel

Ambient Temperature Range: -20°C ~ +70°C

Operating Voltage Range: Rated Voltage ±10%

Bearing: Ball (UL approval)

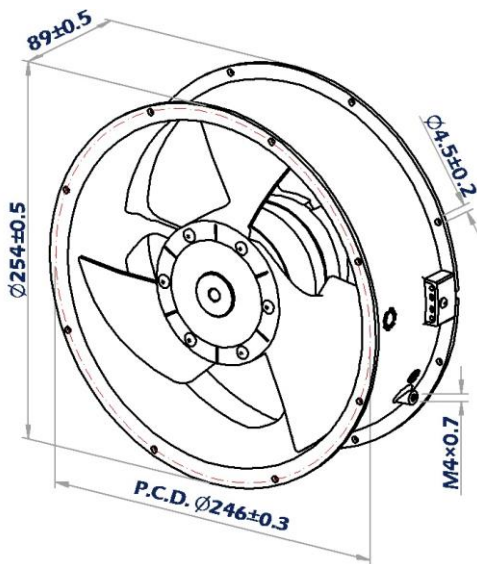
Motor Structure: AC Induction Capacitor/Three-phase

Motor protection: Thermal Protected (Auto Restart) optional IP54, IP56, IP67

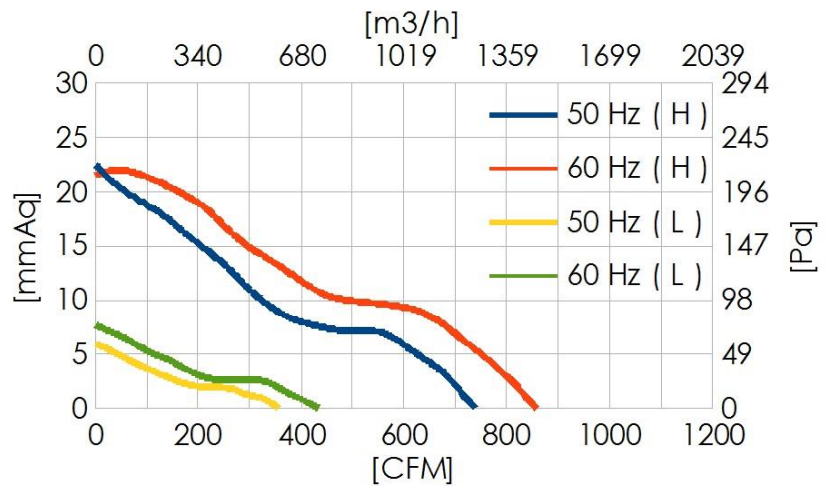
Termination: Terminals or Lead wire

Weight: 2750g / PC

Dimension (units:mm)



Characteristic Curves



SPECIFICATION

Model	Voltage (V)	Freq. (Hz)	Current (A)	Power (W)	Speed (RPM)	Air Flow (CFM)	Pressure (mm Aq)	Noise (dB)	UL
CYM12589HB	115	50/60	0.59/0.86	66/95	2800/3200	740/860	22.5/21.5	66/68	✓
CYM22589HB	230	50/60	0.28/0.43	66/95	2800/3200	740/860	22.5/21.5	66/68	✓
CYM32589HB	380	50/60	0.17/0.23	65/87	2800/3200	740/860	22.5/21.5	66/68	
CYM32589SB	440	50/60	0.22/0.32	81/95	2800/3200	740/860	22.5/21.5	66/68	
CYM22589HB(3Ø)	230	50/60	0.24/0.26	57/80	2750/3100	730/820	21/24	65/67	
CYM32589HB(3Ø)	380	50/60	0.23/0.2	68/89	2800/3250	750/870	21/25	66/68	
CYM32589SB(3Ø)	440	50/60	0.3/0.23	85/97	2800/3250	770/900	22/26	67/69	