



# □280x280x80 mm (□11x11x3.1 in)



**Frame:** Die cast aluminum

**Impeller:** Steel-sheet metal fan blades

**Ambient Temperature Range:** -30°C ~ +80°C

**Operating Voltage Range:** Rated Voltage ±10%

**Bearing:** Double NSK Ball bearings are inner set

**Motor Structure:** External rotor inducted by a running cap acitor

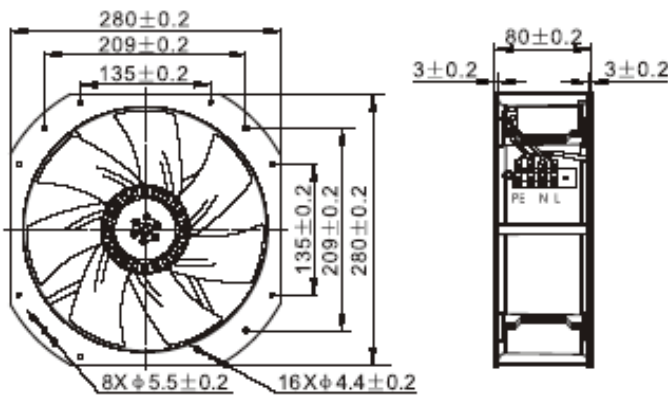
**Motor protection:** Thermal Protected

**Termination:** PA-10

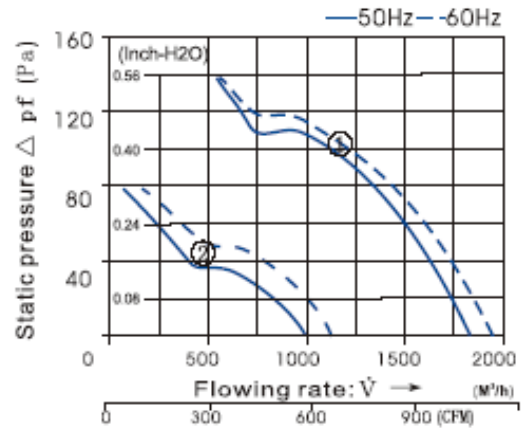
**Protection Grade:** IP55,IP44

**Package:** 2800g / PC

## Dimension (units:mm)



## Characteristic Curves



## SPECIFICATION

Model	Voltage (V)	Freq. (Hz)	Current (A)	Power (W)	Speed (RPM)	Air Flow (CFM)	Pressure (mm Aq)	Noise (dB)
CYM12880HBT	115	50/60	1.1/1.2	110/136	2550/2800	1097/1204	14.27/14.27	69/70
CYM22880HBT	230	50/60	0.48/0.62	105/140	2550/2800	1097/1204	14.27/14.27	69/70
CYM22880MBT	230	50/60	0.24/0.35	50/57	1400/1650	596/714	8.15/10.19	54/58