



□80x80x38mm (□3x3x1.5 in)



Frame: Die cast aluminum

Impeller: Steel metal fan blades.

Ambient Temperature Range: -30°C ~ +80°C

Operating Voltage Range: Rated Voltage ±10%

Bearing: Ball bearing

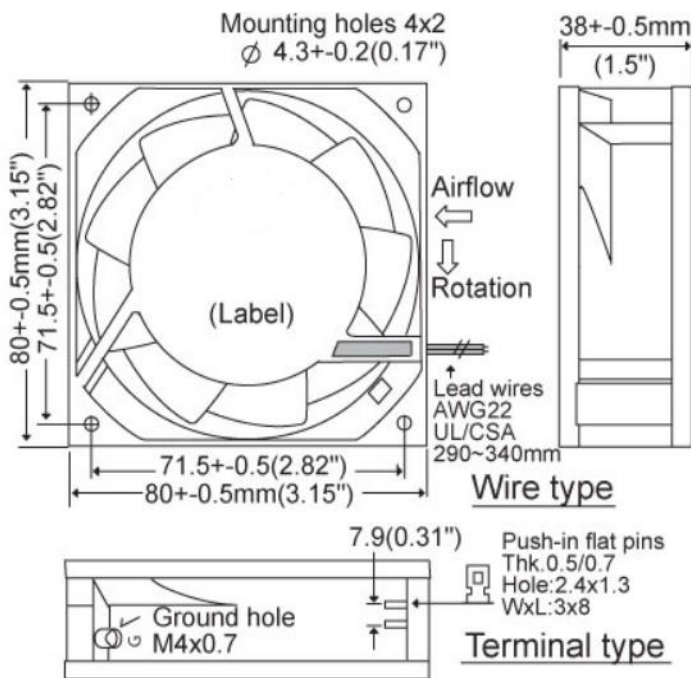
Motor Structure: Shaded pole, outer rotor, single phase

Motor protection: Impedance Protected

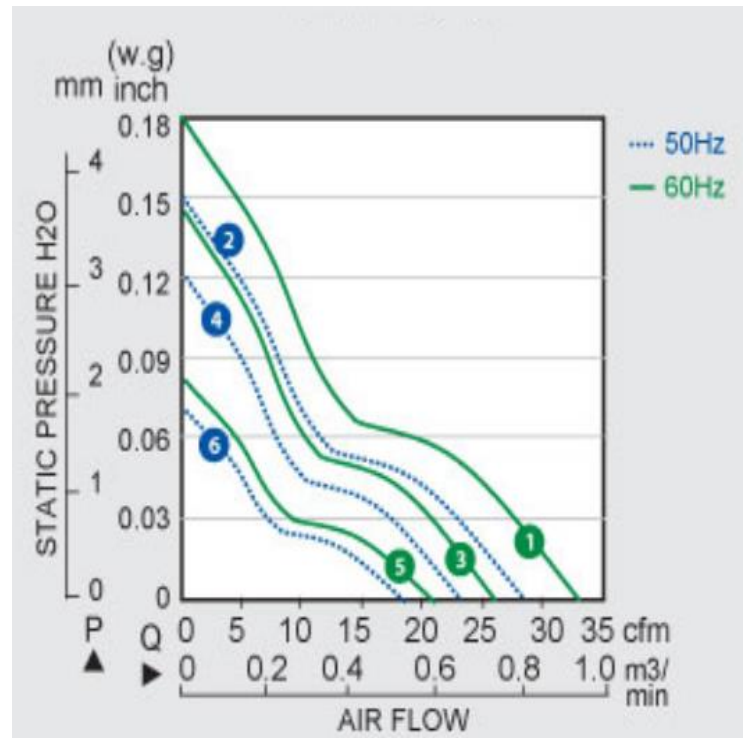
Termination: Terminals or Lead wire

Package: 430g / PC,

Dimension (units:mm)



Characteristic Curves



SPECIFICATION

Model	Voltage (V)	Freq. (Hz)	Power (W)	Speed (RPM)	Air Flow (CFM)	Pressure (mm Aq)	Noise (dB)
CYM18038HB	115	50/60	15/13	2750/3200	28/33	3.81/4.57	35
CYM28038HB	230	50/60	15/13	2750/3200	28/33	3.81/4.57	35

AC Axial Fan