



□ 120x120x25 mm

Frame: Plastic

Impeller: Plastic Material UL94V-0

Ambient Temperature Range: -10°C ~ +70°C

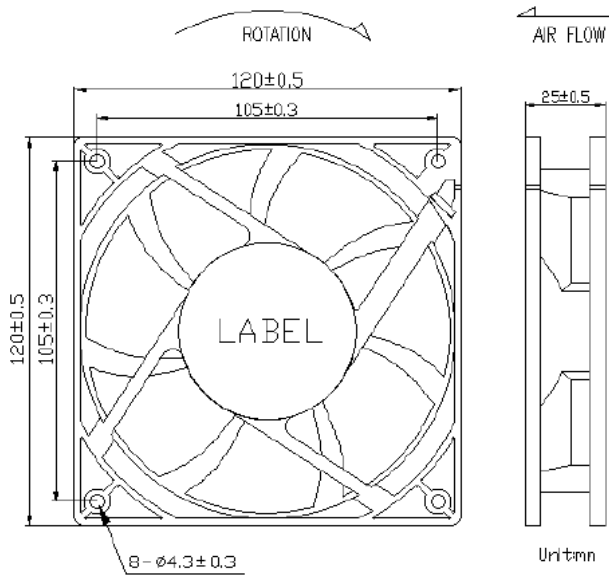
Bearing: Ball bearing

Motor Structure: DC Brushless Motor

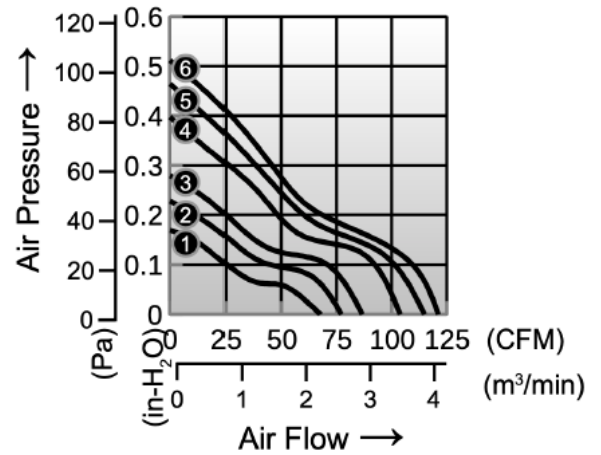
Package: 230g / PC



Dimension (units:mm)



Characteristic Curves



SPECIFICATION

Model	Voltage (V)	Operating Voltage Range(VDC)	Current (A)	Speed (RPM)	Air Flow (CFM)	Pressure (in-H ₂ O)	Noise (dB)
CDC121225HB	12	7.0 – 13.2	0.50	3400	103.9	0.40	47
CDC121225XB	12	7.0 – 13.2	0.62	3700	114.8	0.46	50
CDC121225UB	12	7.0 – 13.2	0.65	4000	121.1	0.51	52
CDC241225HB	24	14.0 – 26.4	0.28	3400	103.9	0.40	47
CDC241225XB	24	14.0 – 26.4	0.30	3700	114.8	0.46	50
CDC241225UB	24	14.0 – 26.4	0.40	4000	121.1	0.51	52
CDC481225LB	48	28.0 – 56.0	0.10	2500	77.2	0.23	39
CDC481225MB	48	28.0 – 56.0	0.11	2800	86.7	0.28	42
CDC481225HB	48	28.0 – 56.0	0.12	3400	103.9	0.40	47