



□ 120x120x38 mm



Frame: Plastic

Impeller: Plastic Material UL94V-0

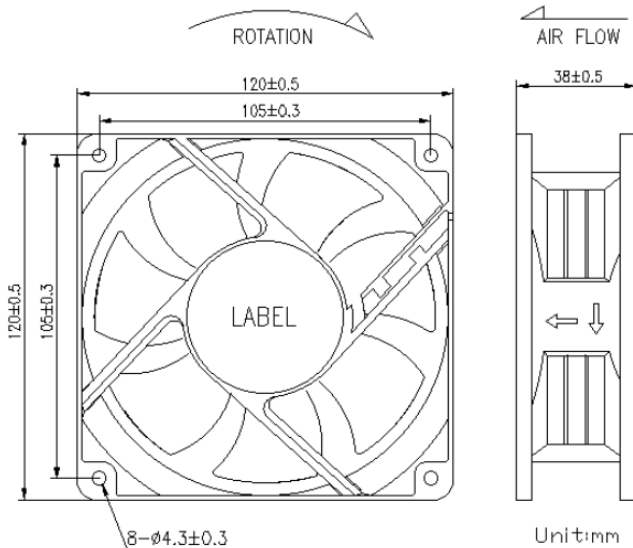
Ambient Temperature Range: -10°C ~ +70°C

Bearing: Ball bearing/Sleeve bearing

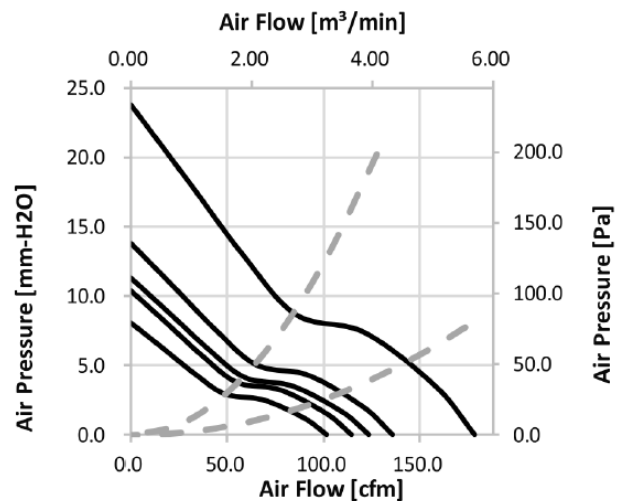
Motor Structure: DC Brushless Motor

Package: 260g / PC

Dimension (units:mm)



Characteristic Curves



SPECIFICATION

Model	Voltage (V)	Operating Voltage Range(VDC)	Current (A)	Speed (RPM)	Air Flow (CFM)	Pressure (in-H ₂ O)	Noise (dB)
CD121238XB	12	7.0 – 13.2	0.75	2900	123.2	0.45	44
CD121238UB	12	7.0 – 13.2	0.80	3200	135.9	0.54	48
CD121238WB	12	7.0 – 13.2	1.55	4200	178.4	0.94	54
CD241238HB	24	14.0 – 26.4	0.48	2900	123.2	0.45	44
CD241238XB	24	14.0 – 26.4	0.62	3200	135.9	0.54	48
CD241238UB	24	14.0 – 26.4	0.85	4200	178.4	0.94	54
CD481238LB	48	28.0 – 56.0	0.25	2900	123.2	0.45	44
CD481238MB	48	28.0 – 56.0	0.30	3200	135.9	0.54	48
CD481238HB	48	28.0 – 56.0	0.48	4200	178.4	0.94	54