



□ 120x120x38 mm



Frame: Plastic

Impeller: Plastic Material UL94V-0

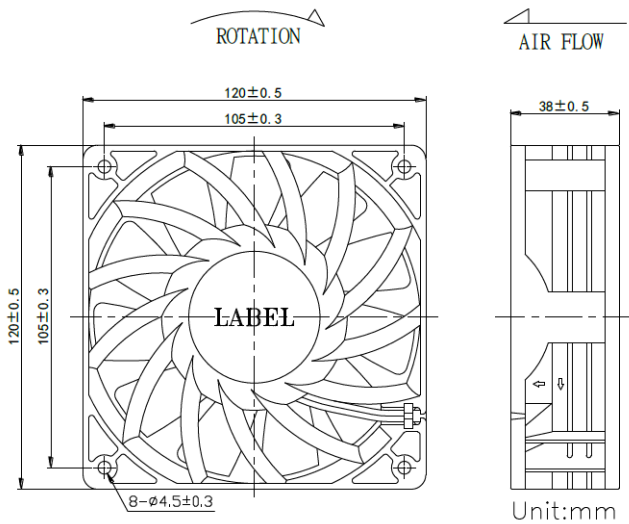
Ambient Temperature Range: -10°C ~ +70°C

Bearing: Ball bearing

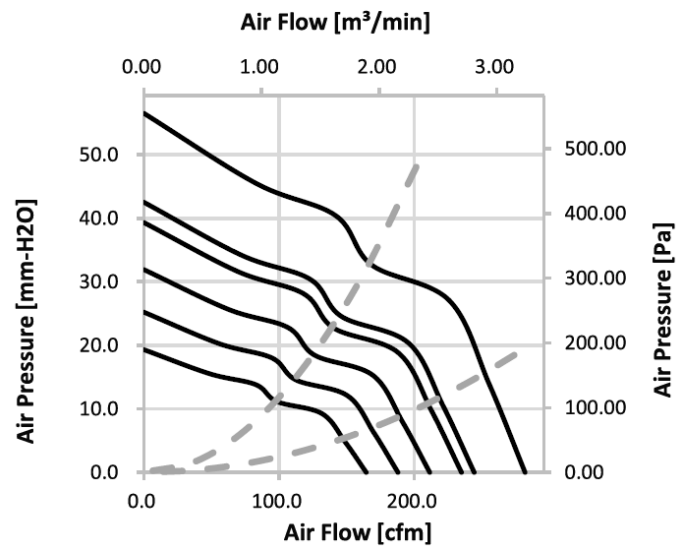
Motor Structure: DC Brushless Motor

Package: 315g / PC

Dimension (units:mm)



Characteristic Curves



SPECIFICATION

Model	Voltage (V)	Operating Voltage Range(VDC)	Current (A)	Speed (RPM)	Air Flow (CFM)	Pressure (in-H2O)	Noise (dB)
CDP121238LB	12	7.0 – 13.2	1.60	3500	164.3	0.76	52
CDP121238MB	12	7.0 – 13.2	2.00	4000	187.8	0.99	55
CDP121238HB	12	7.0 – 13.2	2.80	4500	211.3	1.26	57
CDP241238XB	24	14.0 – 26.4	1.80	5000	234.8	1.55	60
CDP241238UB	24	14.0 – 26.4	2.00	5200	244.2	1.67	61
CDP241238WB	24	14.0 – 26.4	2.60	5500	258.2	1.87	62
CDP481238XB	48	28.0 – 56.0	0.90	5000	234.8	1.55	60
CDP481238UB	48	28.0 – 56.0	1.00	5200	244.2	1.67	61
CDP481238WB	48	28.0 – 56.0	1.30	6000	281.8	2.22	64