



□ 13x14x05 mm



**Frame:** Plastic

**Impeller:** Plastic Material UL94V-0

**Operation Temperature Range:** -10°C ~ +60°C

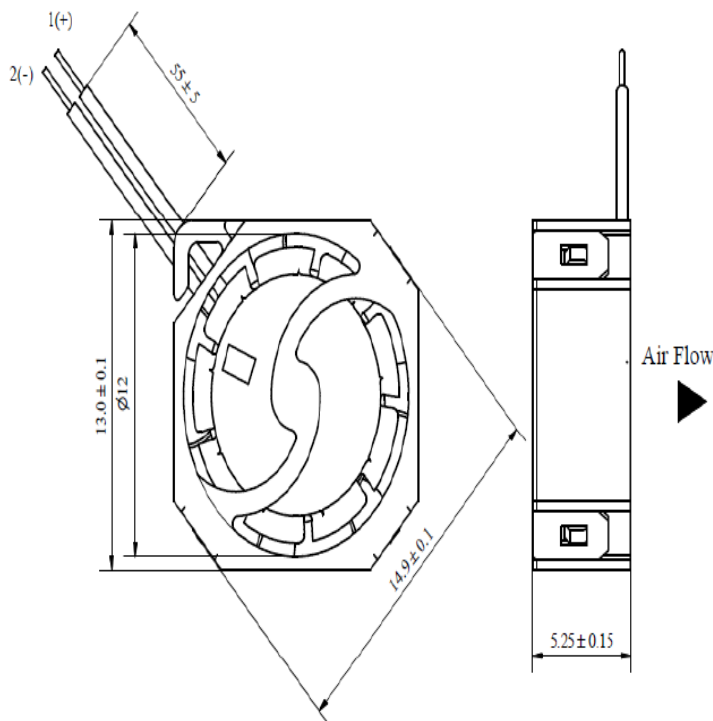
**Storage Temperature Range:** -20°C ~ +70°C

**Bearing:** Sleeve bearing

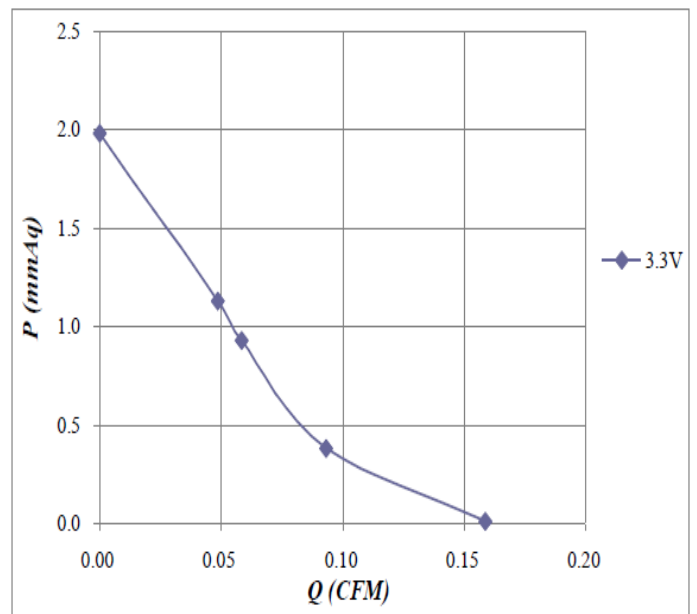
**Motor Structure:** DC Brushless Motor

**Package:** 1.17g / PC

Dimension (units:mm)



Characteristic Curves



**SPECIFICATION**

Model	Voltage (V)	Operating Voltage Range(VDC)	Current (A)	Speed (RPM)	Air Flow (CFM)	Pressure (in-H2O)	Noise (dB)
CD031305	3.3	2.8 – 3.6	0.039	16000	0.16	1.98	15.7

Micro DC Axial Fan