



□ 15x14x04 mm



Frame: Plastic

Impeller: Plastic Material UL94V-0

Operation Temperature Range: -10°C ~ +60°C

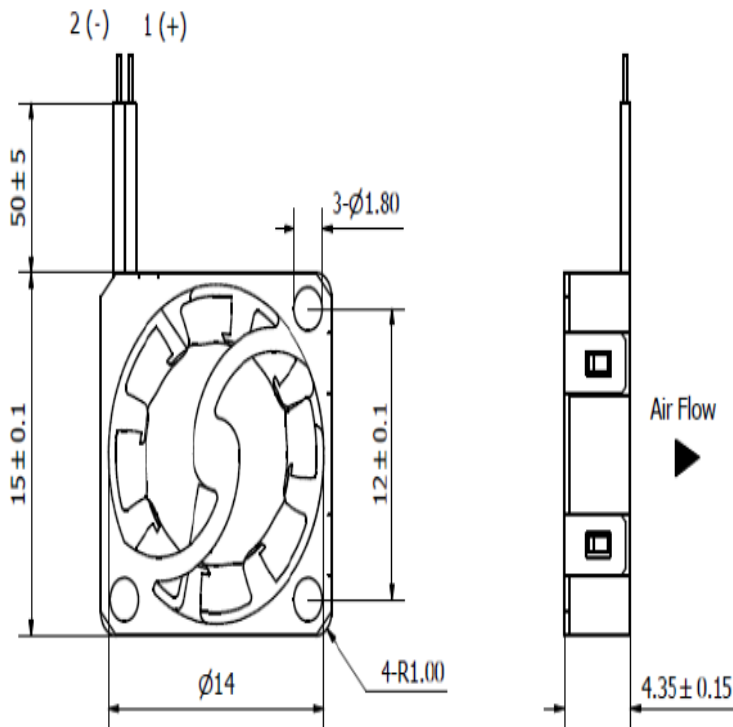
Storage Temperature Range: -20°C ~ +70°C

Bearing: Sleeve bearing

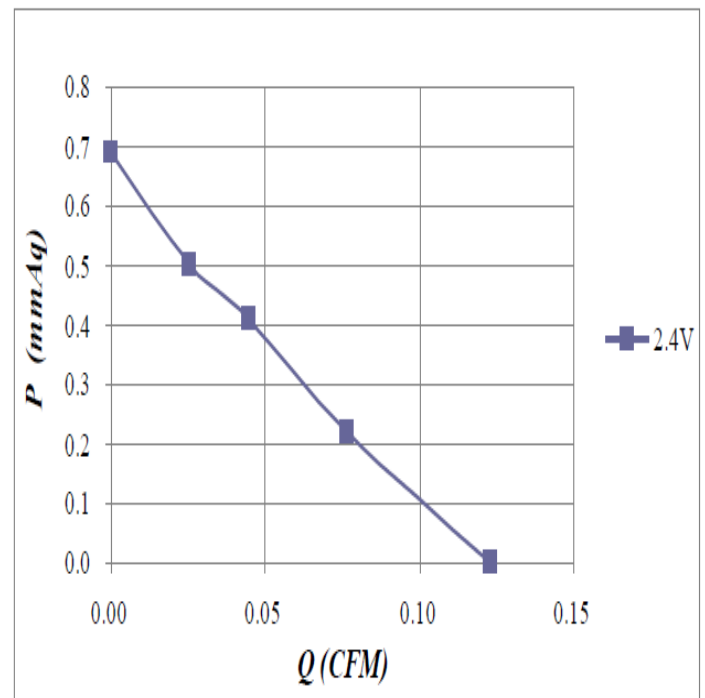
Motor Structure: DC Brushless Motor

Package: 1.27g / PC

Dimension (units:mm)



Characteristic Curves



SPECIFICATION

Model	Voltage (V)	Operating Voltage Range(VDC)	Current (A)	Speed (RPM)	Air Flow (CFM)	Pressure (in-H2O)	Noise (dB)
CD021504	2.4	2.4 – 3.3	0.011	7500	0.12	0.69	14.6