



# □ 172x150x38mm



**Frame:** Aluminum

**Impeller:** Plastic

**Ambient Temperature Range:** -10°C ~ +70°C

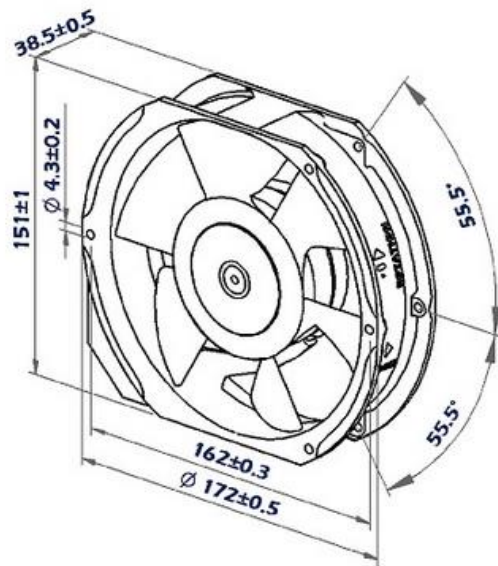
**Bearing:** Ball **IP54**

**Motor Structure:** DC Permanent Magnet Brushless

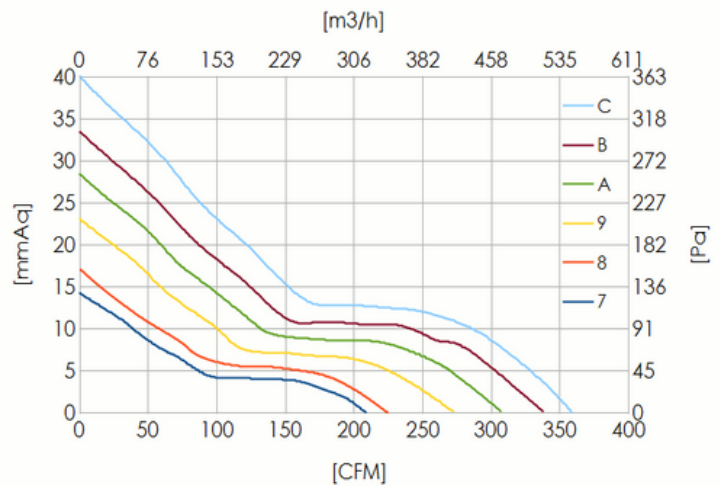
**Termination:** Terminals or Lead wire

**Package:** 840 g / PC, 12PCS/CTN

## Dimension (units:mm)



## Characteristic Curves



## SPECIFICATION

Model	Voltage (V)	Current (A)	Speed (RPM)	Air Flow (CFM)	Pressure (mmAq)	Noise (dB)	Curve NO.
CDx1738LB	12/24/48	1.1/0.54/0.28	2800	210	14.5	52	7
CDx1738MB	12/24/48	1.59/0.78/0.37	3200	245	18.6	56	8
CDx1738HB	12/24/48	2.34/1.08/0.52	3600	275	23.1	60	9
CDx1738UB	12/24/48	3.33/1.38/0.68	4000	310	28.5	64	A
CDx1738VB	24/48	1.91/0.9	4400	340	33.4	68	B
CDx1738WB	24/48	2.34/1.13	4800	360	39.2	72	C

x: 12(12V),24(24V),48(48V)