



# □ 172x150x51mm



**Frame:** Aluminum

**Impeller:** Plastic

**Ambient Temperature Range:** -10°C ~ +70°C

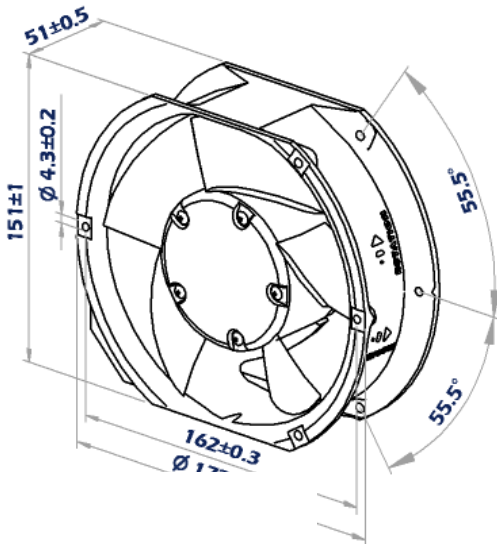
**Bearing:** Ball **IP54**

**Motor Structure:** DC Permanent Magnet Brushless

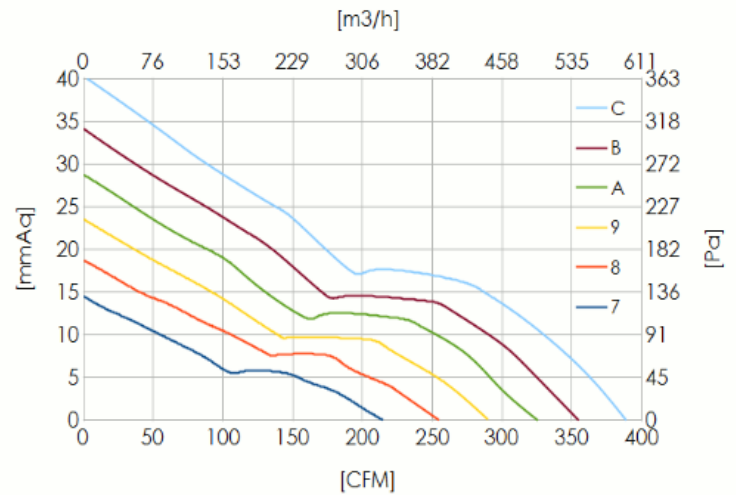
**Termination:** Terminal or Lead wire

**Package:** 1070 g / PC, 12PCS/CTN

## Dimension (units:mm)



## Characteristic Curves



## SPECIFICATION

Model	Voltage (V)	Current (A)	Speed (RPM)	Air Flow (CFM)	Pressure (mmAq)	Noise (dB)	Curve NO.
CDx1751LB	12/24/48	1.31/0.65/0.33	2800	220	14.5	52	7
CDx1751MB	12/24/48	1.88/0.89/0.45	3200	255	18.7	56	8
CDx1751HB	12/24/48	2.75/1.21/0.6	3600	290	23.5	60	9
CDx1751UB	12/24/48	3.73/1.69/0.79	4000	325	28.8	64	A
CDx1751VB	24/48	2.41/1.15	4400	355	34.1	68	B
CDx1751WB	24/48	2.94/1.48	4800	390	40.3	72	C

x: 12(12V),24(24V),48(48V)