



□ 172x150x55mm



Frame: Aluminum

Impeller: Plastic

Ambient Temperature Range: -10°C ~ +70°C

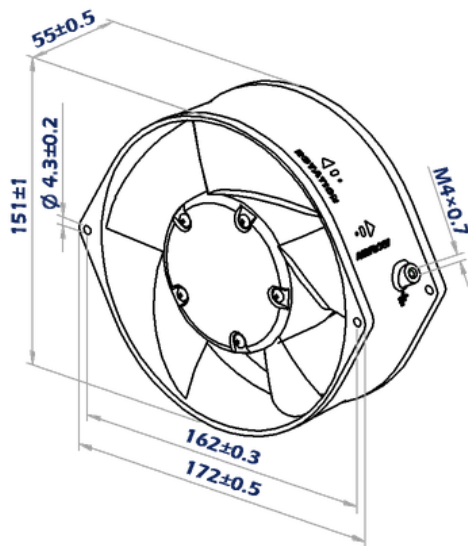
Bearing: Ball **IP54**

Motor Structure: DC Permanent Magnet Brushless

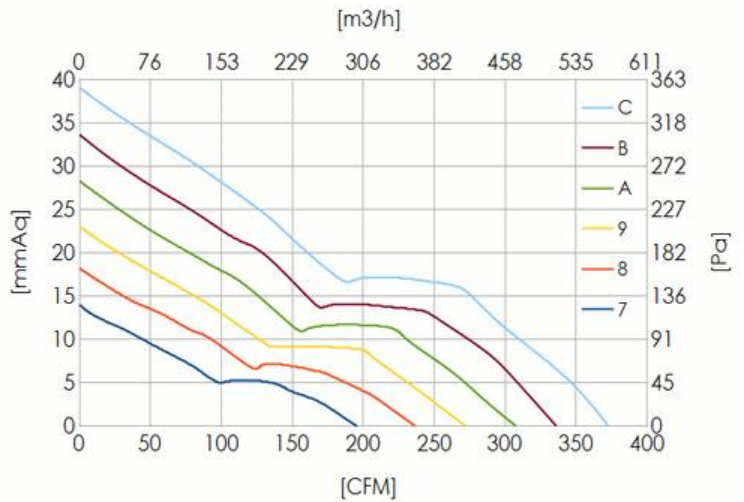
Termination: Terminal or Lead wire

Package: 1010 g / PC, 12PCS/CTN

Dimension (units:mm)



Characteristic Curves



SPECIFICATION

Model	Voltage (V)	Current (A)	Speed (RPM)	Air Flow (CFM)	Pressure (mmAq)	Noise (dB)	Curve NO.
CDx1755LB	12/24/48	1.31/0.65/0.33	2800	205	13.9	53	7
CDx1755MB	12/24/48	1.88/0.94/0.45	3200	240	18.2	57	8
CDx1755HB	12/24/48	2.75/1.21/0.6	3600	275	22.9	61	9
CDx1755UB	12/24/48	3.74/1.69/0.79	4000	310	28.3	65	A
CDx1755VB	24/48	2.41/1.15	4400	340	33.6	69	B
CDx1755WB	24/48	2.94/1.48	4800	375	39.7	73	C

x: 12(12V),24(24V),48(48V)