



□ 172x51mm



Frame: Aluminum

Impeller: Plastic

Ambient Temperature Range: -10°C ~ +70°C

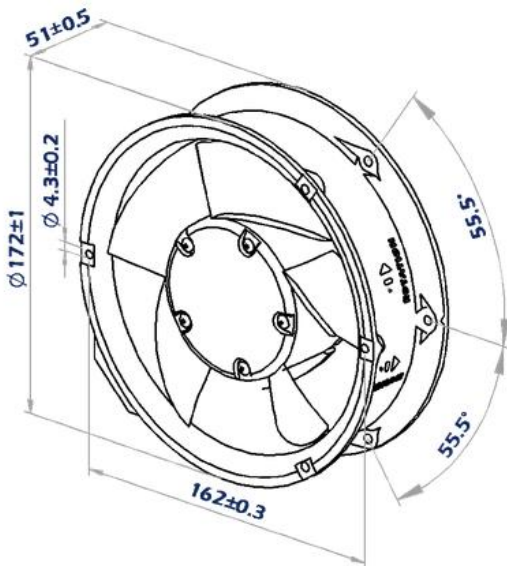
Bearing: Ball **IP54**

Motor Structure: DC Permanent Magnet Brushless

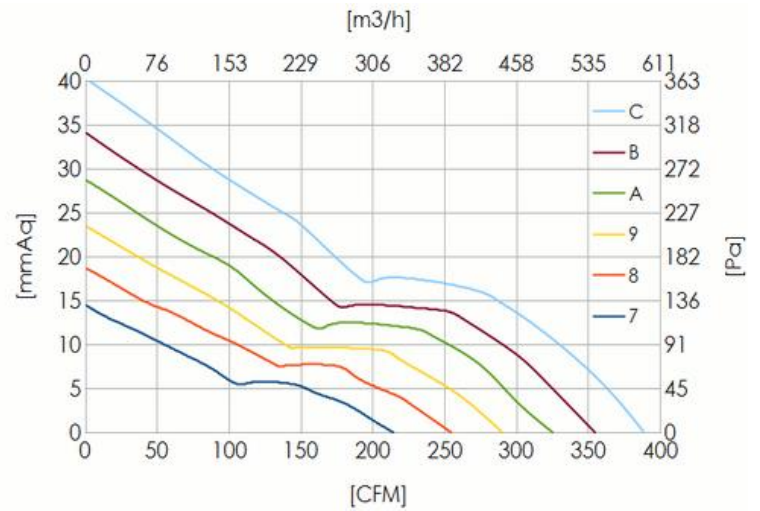
Termination: Terminal or Lead Wire

Package: 1070 g / PC, 12PCS/CTN

Dimension (units:mm)



Characteristic Curves



SPECIFICATION

Model	Voltage (V)	Current (A)	Speed (RPM)	Air Flow (CFM)	Pressure (mmAq)	Noise (dB)	Curve NO.
CDx1751LBØ	12/24/48	1.31/0.65/0.33	2800	220	14.5	52	7
CDx1751MBØ	12/24/48	1.88/0.89/0.45	3200	255	18.7	56	8
CDx1751HBØ	12/24/48	2.75/1.21/0.6	3600	290	23.5	60	9
CDx1751UBØ	12/24/48	3.74/1.69/0.79	4000	325	28.8	64	A
CDx1751VBØ	24/48	2.41/1.15	4400	355	34.1	68	B
CDx1751WBØ	24/48	2.96/1.48	4800	390	40.3	72	C

x: 12(12V),24(24V),48(48V)

DC Axial Fan