



□ 18x18x04 mm



Frame: Plastic

Impeller: Plastic Material UL94V-0

Operation Temperature Range: -10°C ~ +60°C

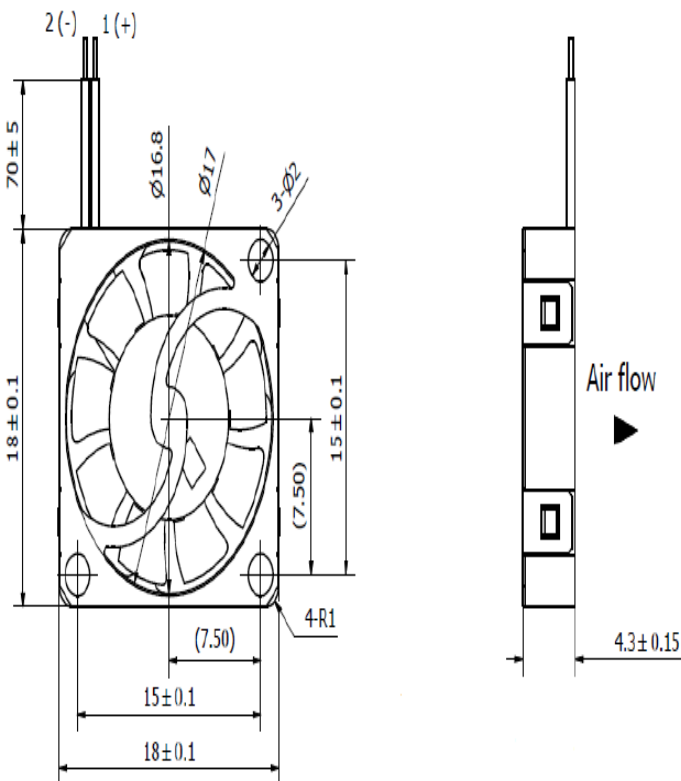
Storage Temperature Range: -20°C ~ +70°C

Bearing: Sleeve bearing

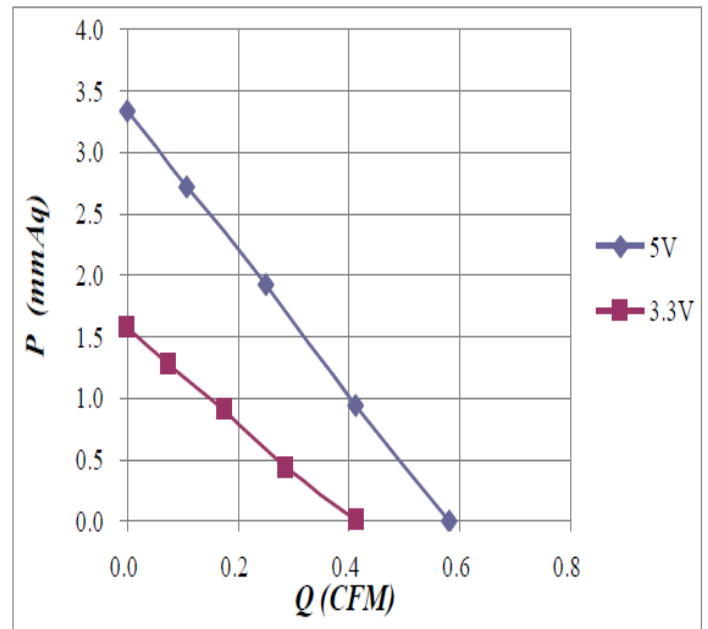
Motor Structure: DC Brushless Motor

Package: 1.63 g / PC

Dimension (units:mm)



Characteristic Curves



SPECIFICATION

Model	Voltage (V)	Operating Voltage Range(VDC)	Current (A)	Speed (RPM)	Air Flow (CFM)	Pressure (in-H2O)	Noise (dB)
CD031804	3.3	2.8 – 3.6	0.041	9000	0.41	1.57	15.9
CD051804	5	4.5 – 5.5	0.058	13000	0.58	3.34	24.9