



□ 200x70 mm



Frame: Aluminum

Impeller: Glass fiber reinforced thermoplastic impeller, rated UL94V-0

Ambient Temperature Range: -15°C ~ +65°C

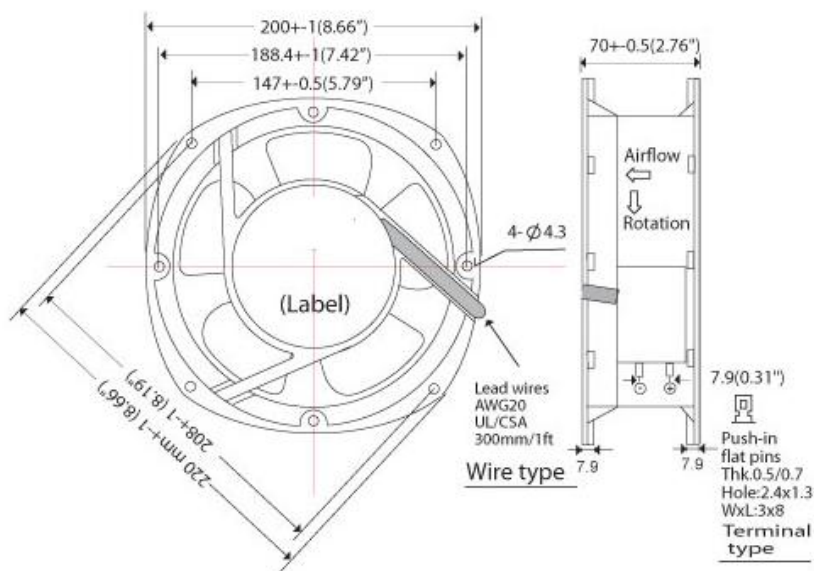
Bearing: Sleeve or Ball

Motor Structure: DC Brushless Motor

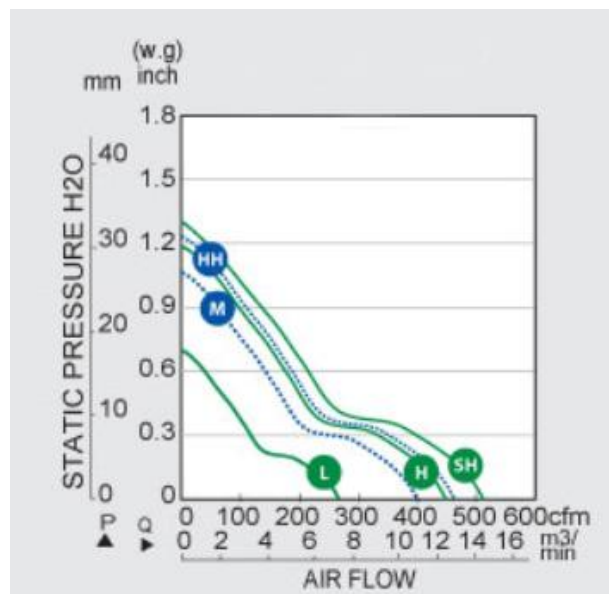
Termination: Lead wire 300± 10mm or terminal

Package: 1800 g / PC

Dimension (units:mm)



Characteristic Curves





□ 200x70 mm



SPECIFICATION

Model	Voltage (V)	Operating Voltage Range(VDC)	Current (A)	Power (W)	Speed (RPM)	Air Flow (CFM)	Pressure (in-H2O)	Noise (dB)
CD122070LBL	12	10~16	0.45	5.5	1800	280	0.7	39
CD122070MBL	12	9~14	1.1	13.2	2400	380	1.05	53
CD122070HBL	12	9~13.6	1.9	23	2600	425	1.15	57
CD122070XBL	12	9~13.6	4.2	50.4	2900	455	1.25	60
CD122070UBL	12	9~13.6	5.4	64.8	3050	495	1.26	65
CD242070LBL	24	16~28	0.2	5	1800	280	0.7	39
CD242070MBL	24	16~27.6	0.52	13	2500	400	1.1	53
CD242070HBL	24	16~27.6	0.97	24	3000	460	1.26	58
CD242070XBL	24	16~27.6	2.1	50.4	3200	470	1.27	63
CD242070UBL	24	16~27.6	2.65	63.6	3300	505	1.3	69
CD482070LBL	48	32~63	0.12	5.8	1800	280	0.7	39
CD482070MBL	48	30~56	0.3	14.5	2500	400	1.1	53
CD482070HBL	48	30~56	0.48	23.5	3000	460	1.26	58
CD482070XBL	48	30~53	1.03	49.4	3200	470	1.27	63
CD482070UBL	48	30~53	1.3	62.4	3300	505	1.3	69