



□ 20x20x06 mm

Frame: Plastic

Impeller: Plastic Material UL94V-0

Ambient Temperature Range: -10°C ~ +70°C

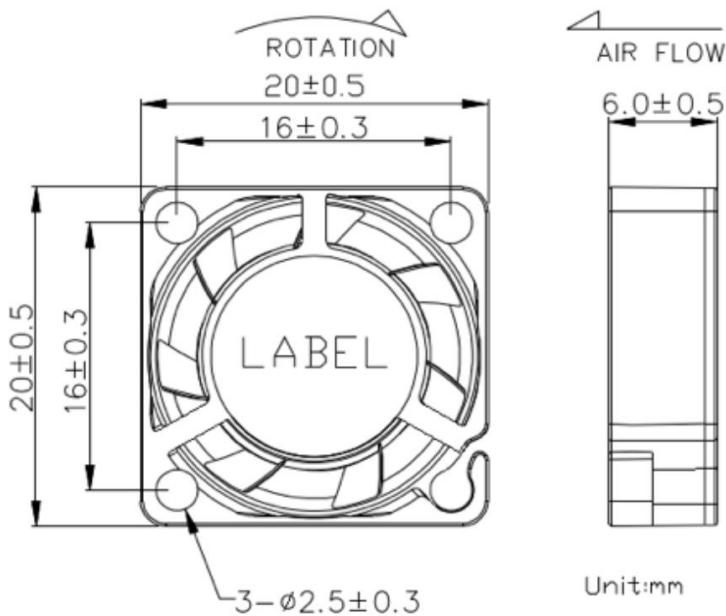
Bearing: FMB

Motor Structure: DC Brushless Motor

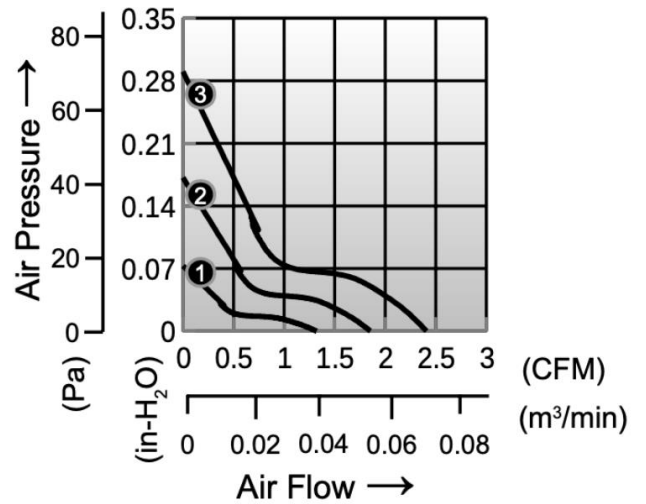
Package: 4g / PC



Dimension (units:mm)



Characteristic Curves



SPECIFICATION

Model	Voltage (V)	Operating Voltage Range(VDC)	Current (A)	Speed (RPM)	Air Flow (CFM)	Pressure (in-H ₂ O)	Noise (dB)
CD052006LF	5	4.5 – 5.5	0.02	7000	0.35	0.03	10
CD052006MF	5	4.5 – 5.5	0.05	10000	0.71	0.07	16
CD052006HF	5	4.5 – 5.5	0.10	13000	1.06	0.13	16