



□ 254x89 mm



Frame: Aluminum

Impeller: Glass fiber reinforced thermoplastic , rated UL94V-0

Ambient Temperature Range: -15°C ~ +65°C

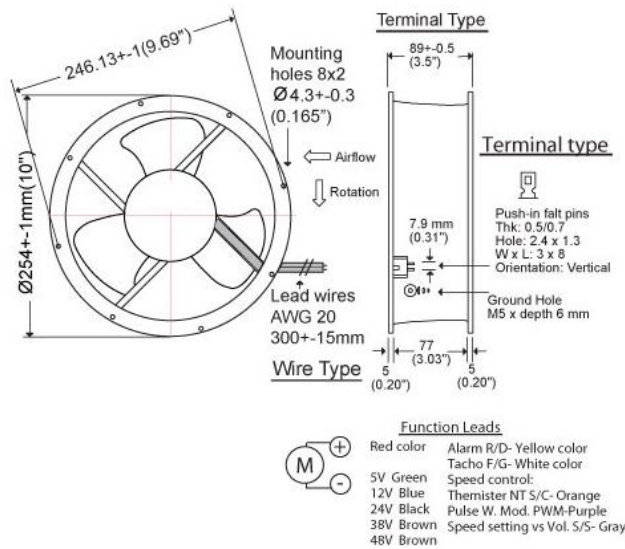
Bearing: Two ball bearings

Motor Structure: DC Brushless Motor

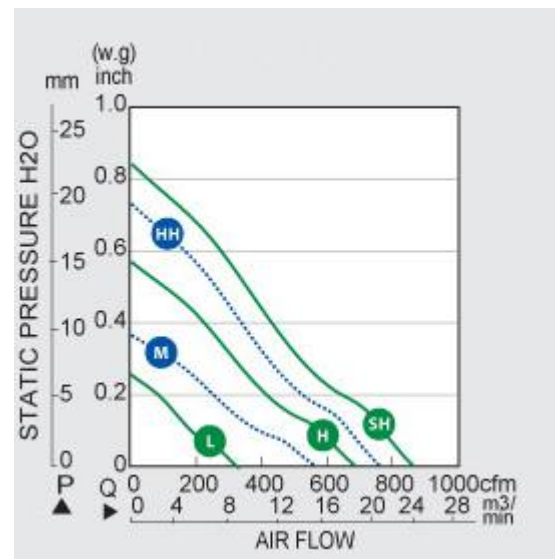
Termination: Lead wire 300± 10mm

Package: 1830 g / PC

Dimension (units:mm)



Characteristic Curves



DC Axial Fan

SPECIFICATION

Model	Voltage (V)	Operating Voltage Range(VDC)	Current (A)	Power (W)	Speed (RPM)	Air Flow (CFM)	Pressure (in-H ₂ O)	Noise (dB)
CD122589HBL	12	9~13	1.9	23	2000	690	0.56	47
CD122589XBL	12	9~13	4.2	50.4	2200	750	0.69	56
CD122589UBL	12	9~13	5.4	64.8	2400	830	0.78	60
CD242589HBL	24	16~27	0.97	24	2000	690	0.58	47
CD242589XBL	24	16~27	2.1	50.4	2300	760	0.71	58
CD242589UBL	24	16~27	2.65	63.6	2500	850	0.83	62
CD482589XBL	48	24~53	1.03	49.4	2300	760	0.71	58
CD482589UBL	48	24~53	1.3	62.4	2500	850	0.83	62