



□254x89 mm



Frame: Plastic

Impeller: Plastic Material UL94V-0

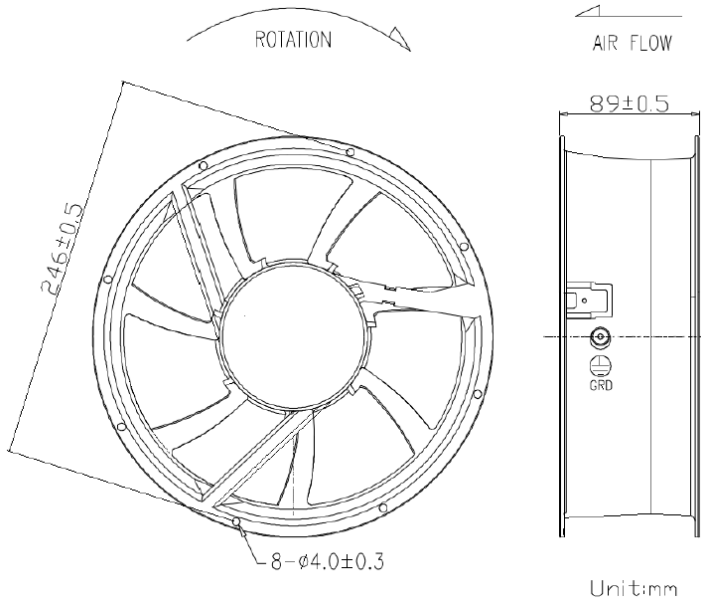
Ambient Temperature Range: -10°C ~ +70°C

Bearing: Ball,

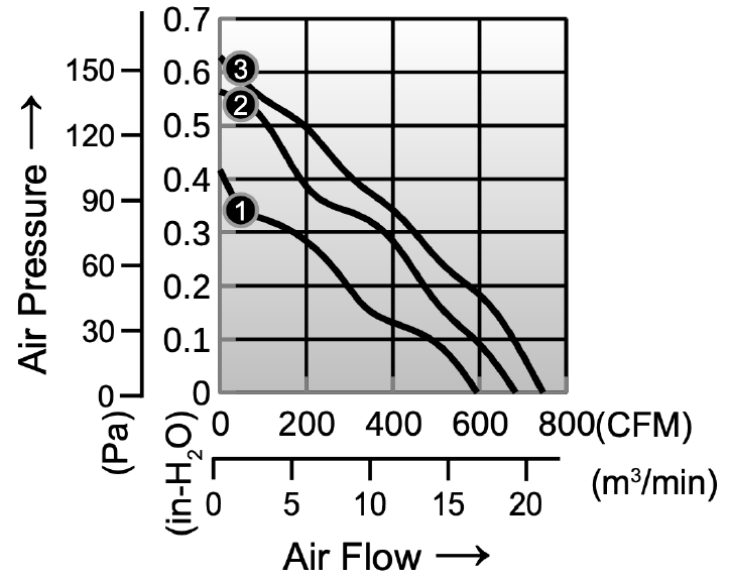
Motor Structure: DC Brushless Motor

Package: 1600 g / PC

Dimension (units:mm)



Characteristic Curves



SPECIFICATION

Model	Voltage (V)	Operating Voltage Range(VDC)	Current (A)	Speed (RPM)	Air Flow (CFM)	Pressure (in-H ₂ O)	Noise (dB)
CD242589LB	24	14.0 – 26.4	0.80	1400	595.00	0.49	59
CD242589MB	24	14.0 – 26.4	1.30	1700	684.00	0.56	63
CD242589HB	24	14.0 – 26.4	2.20	2300	747.00	0.63	71
CD482589LB	48	28.0 – 56.0	0.63	1400	595.00	0.49	59
CD482589MB	48	28.0 – 56.0	1.00	1700	684.00	0.56	63
CD482589HB	48	28.0 – 56.0	1.50	2300	747.00	0.63	71