

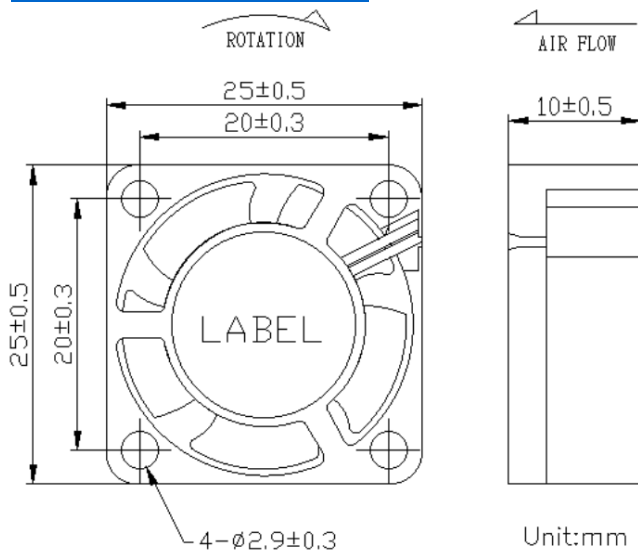


# □ 25x25x10 mm

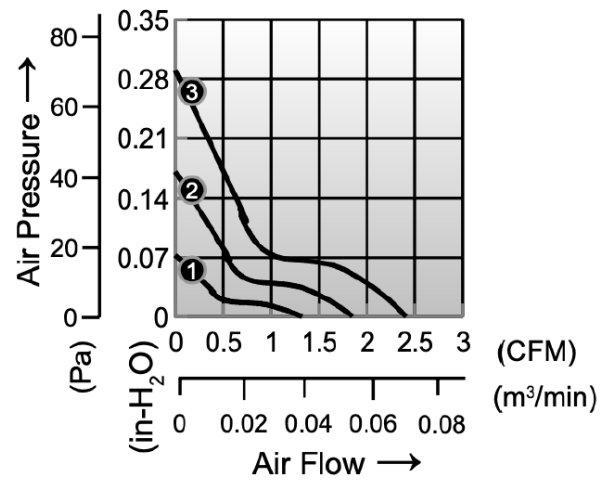
- Frame:** Plastic
- Impeller:** Plastic Material UL94V-0
- Ambient Temperature Range:** -10°C ~ +70°C
- Bearing:** FMB/ball
- Motor Structure:** DC Brushless Motor
- Package:** 8g / PC



## Dimension (units:mm)



## Characteristic Curves



## SPECIFICATION

Model	Voltage (V)	Operating Voltage Range(VDC)	Current (A)	Speed (RPM)	Air Flow (CFM)	Pressure (in-H2O)	Noise (dB)
CD052510JB	5	4.5 – 5.5	0.05	4000	0.52	0.03	10
CD052510LB	5	4.5 – 5.5	0.08	7000	1.32	0.07	20
CD052510MB	5	4.5 – 5.5	0.13	10000	1.85	0.17	24
CD052510HB	5	4.5 – 5.5	0.22	13000	2.41	0.29	28
CD122510LB	12	7.0 – 13.2	0.07	7000	1.32	0.07	20
CD122510MB	12	7.0 – 13.2	0.08	10000	1.85	0.17	24
CD122510HB	12	7.0 – 13.2	0.12	13000	2.41	0.29	28
CD242510HB	24	14.0 – 26.4	0.07	13000	2.41	0.29	28