



# □ 280x280x88.9 mm



**Frame:** Aluminum

**Impeller:** Glass fiber reinforced thermoplastic impeller, rated UL94V-0

**Ambient Temperature Range:** -10°C ~ +70°C

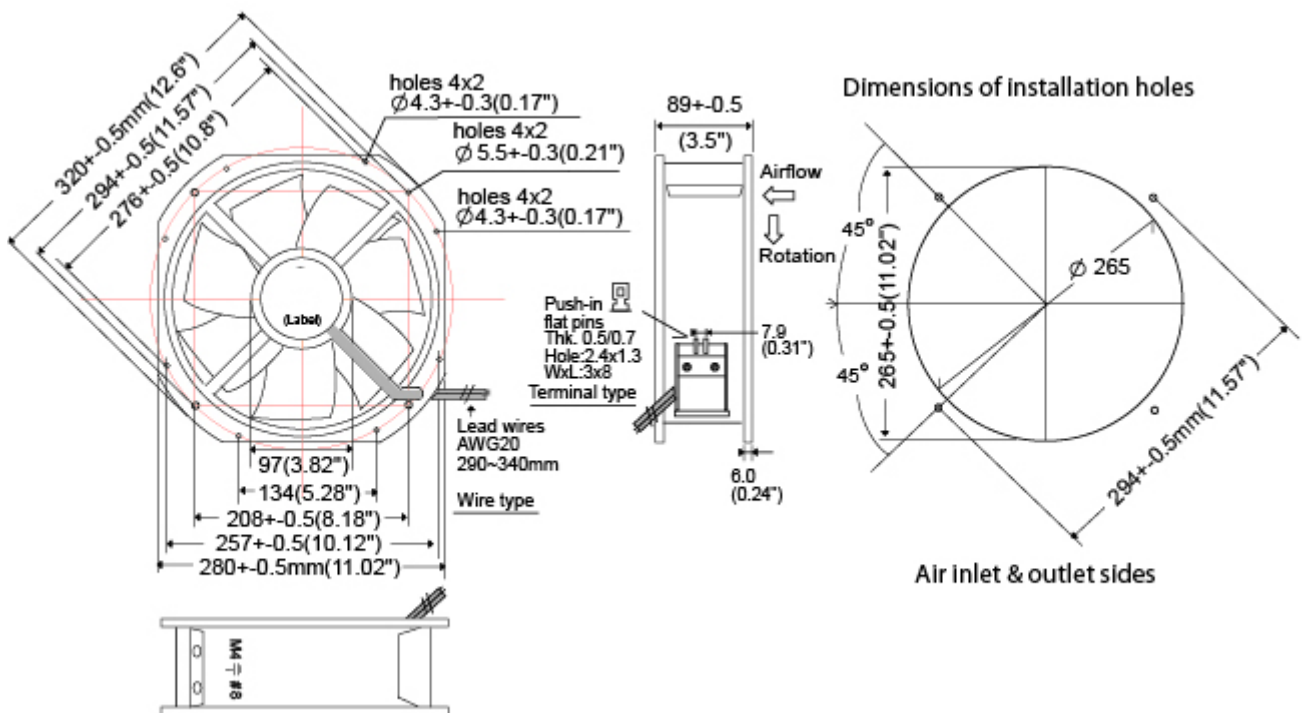
**Bearing:** Sleeve or Ball

**Motor Structure:** DC Brushless Motor

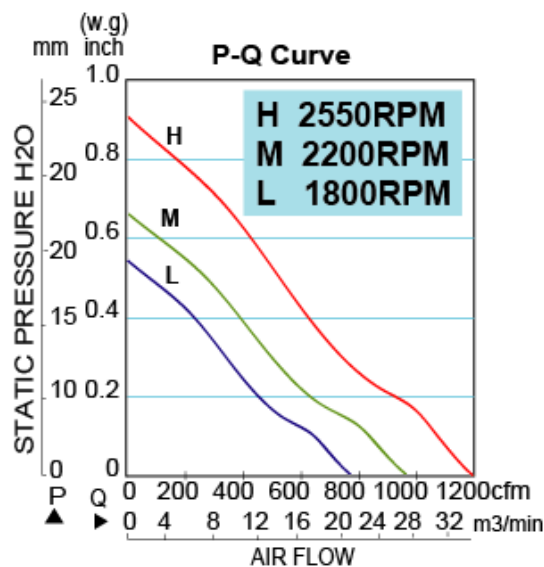
**Termination:** Lead wire 290 mm

**Package:** 2800 g / PC

## Dimension (units:mm)



## Characteristic Curves





□ **280x280x88.9 mm**



## SPECIFICATION

Model	Voltage (V)	Operating Voltage Range(VDC)	Current (A)	Power (W)	Speed (RPM)	Air Flow (CFM)	Pressure (in-H <sub>2</sub> O)	Noise (dB)
CD122889LBL	12	9~13.5	4.2	50	1800	867	0.55	48
CD122889MBL	12	9~13.5	7.5	90	2100	1011	0.63	55
CD242889LBL	24	18~27.6	1.1	26.4	1800	867	0.55	48
CD242889MBL	24	18~27.6	2.45	58.8	2200	1060	0.65	56
CD242889HBL	24	18~27.6	4.35	104.4	2450	1180	0.9	72
CD482889LBL	48	24~55	0.55	26.4	1500	722	0.55	48
CD482889MBL	48	24~55	1.2	57.6	2200	1060	0.65	56
CD482889HBL	48	24~55	2.2	105.6	2450	1180	0.9	72