



□ 30x08 mm



**Motor:** DC single phase brushless motor

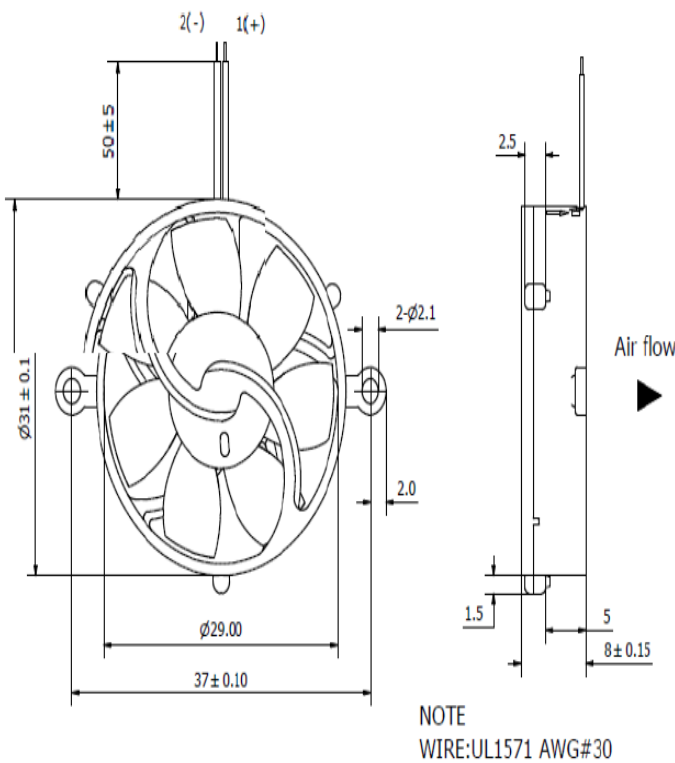
**Material:** Plastic(94V-0)

**Operation Temperature:** -10°C ~ +60°C

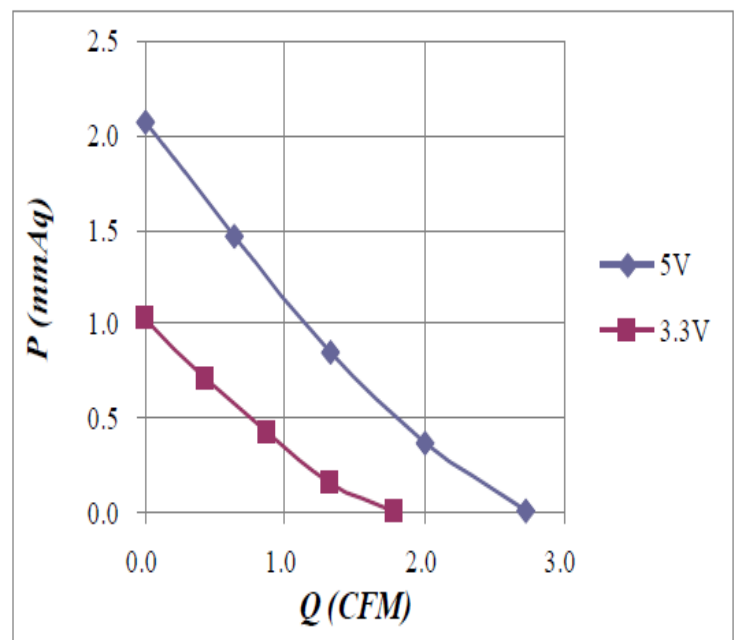
**Storage Temperature:** -20°C ~ +70°C

**Weight:** 3.82 g / PC

Drawing:



Characteristic Curves



**SPECIFICATION**

Model	Voltage (V)	Operating Voltage Range(VDC)	Current (A)	Speed (RPM)	Air Flow (CFM)	Pressure (in-H2O)	Noise (dB)
CD033008	3.3	2.8 – 3.6	0.037	4200	1.79	1.02	15.9
CD053008	5	4.5 – 5.5	0.053	6200	2.72	2.07	24.3

Micro DC Axial Fan