



□ 30x30x10 mm



Frame: Plastic

Impeller: Plastic Material UL94V-0

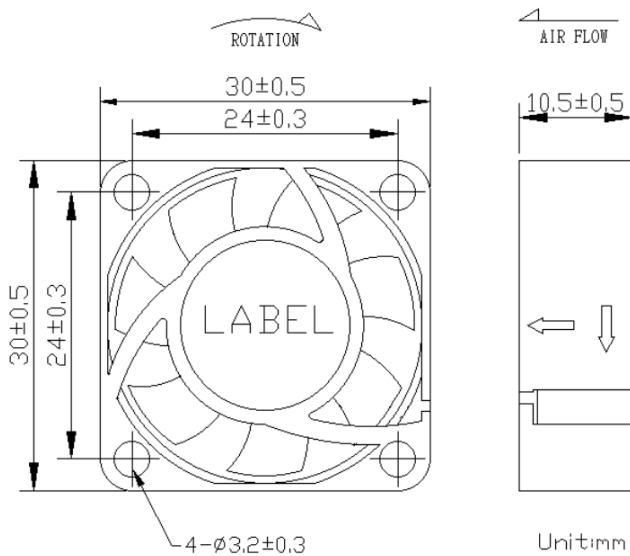
Ambient Temperature Range: -10°C ~ +70°C

Bearing: FMB/ball

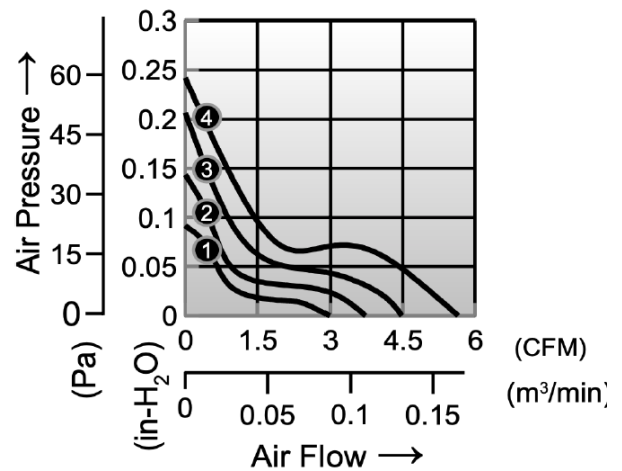
Motor Structure: DC Brushless Motor

Package: 10g / PC

Dimension (units:mm)



Characteristic Curves



SPECIFICATION

Model	Voltage (V)	Operating Voltage Range(VDC)	Current (A)	Speed (RPM)	Air Flow (CFM)	Pressure (in-H ₂ O)	Noise (dB)
CD053010LB	5	4.5 – 5.5	0.09	6000	2.29	0.09	17
CD053010MB	5	4.5 – 5.5	0.12	7500	3.73	0.14	24
CD053010HB	5	4.5 – 5.5	0.24	9000	4.48	0.21	29
CD053010XB	5	4.5 – 5.5	0.28	11000	5.65	0.24	31
CD053010UB	5	4.5 – 5.5	0.45	13000	6.68	0.34	35
CD123010LB	12	7.0 – 13.2	0.03	6000	2.29	0.09	17
CD123010MB	12	7.0 – 13.2	0.05	7500	3.73	0.14	24
CD123010HB	12	7.0 – 13.2	0.07	9000	4.48	0.21	29
CD123010XB	12	7.0 – 13.2	0.09	11000	5.65	0.24	31
CD123010UB	12	7.0 – 13.2	0.18	13000	6.68	0.34	35