



# □ 38x38x20 mm

**Frame:** Plastic

**Impeller:** Plastic Material UL94V-0

**Ambient Temperature Range:** -10°C ~ +70°C

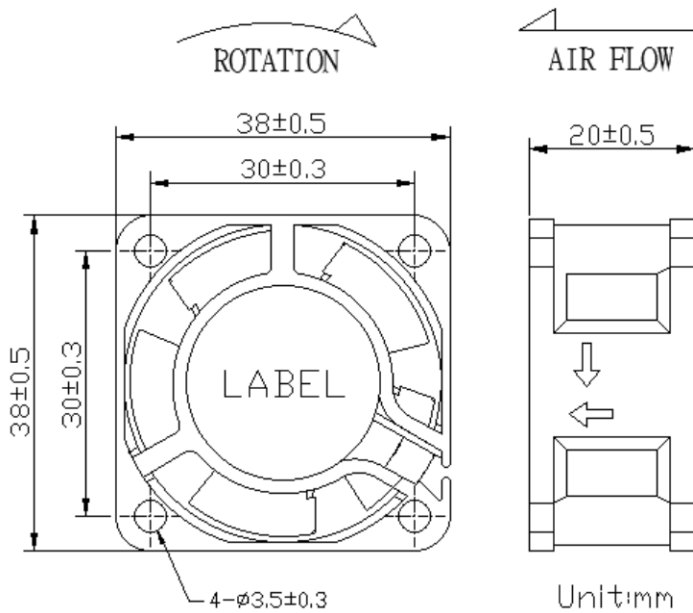
**Bearing:** Ball

**Motor Structure:** DC Brushless Motor

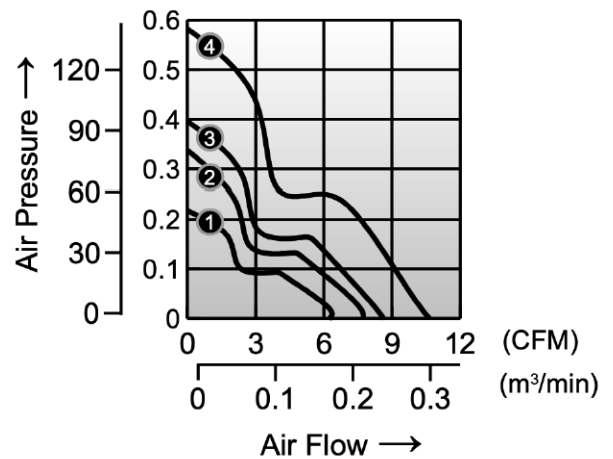
**Package:** 31 g / PC



## Dimension (units:mm)



## Characteristic Curves



## SPECIFICATION

Model	Voltage (V)	Operating Voltage Range(VDC)	Current (A)	Speed (RPM)	Air Flow (CFM)	Pressure (in-H <sub>2</sub> O)	Noise (dB)
CD123820LB	12	7.0 – 13.2	0.10	6700	6.3	0.22	36
CD123820MB	12	7.0 – 13.2	0.12	8000	7.4	0.34	40
CD123820HB	12	7.0 – 13.2	0.13	8900	8.6	0.39	42
CD123820XB	12	7.0 – 13.2	0.30	10000	10.6	0.58	43
CD243820LB	24	14.0 – 26.4	0.07	6700	6.3	0.22	36
CD243820MB	24	14.0 – 26.4	0.07	8000	7.4	0.34	40
CD243820HB	24	14.0 – 26.4	0.09	8900	8.6	0.39	42
CD243820XB	24	14.0 – 26.4	0.17	10000	10.6	0.58	43