



□ 38x38x28 mm



Frame: Plastic

Impeller: Plastic Material UL94V-0

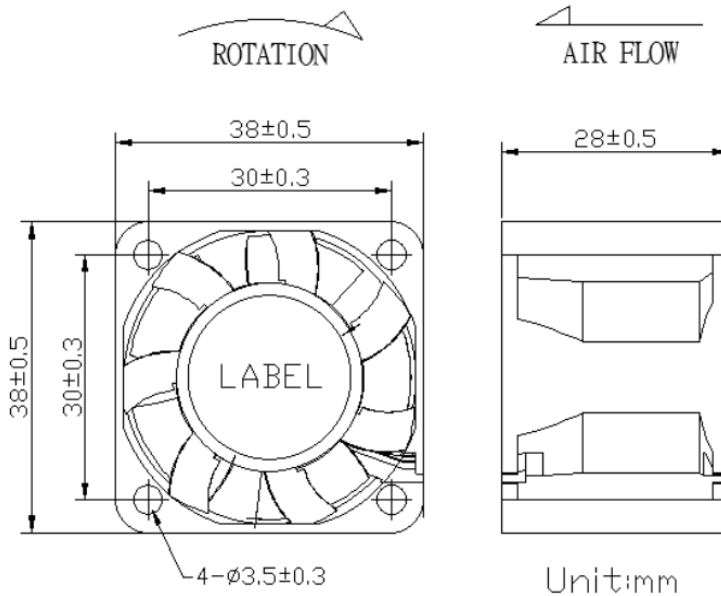
Ambient Temperature Range: -10°C ~ +70°C

Bearing: Ball

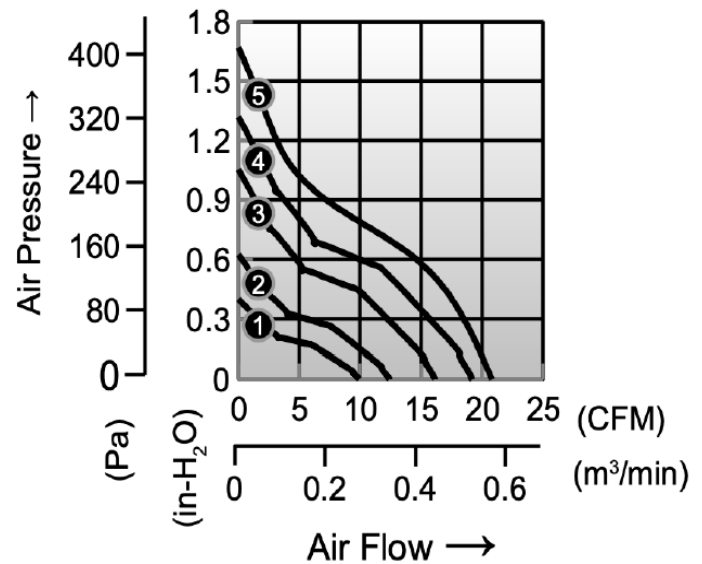
Motor Structure: DC Brushless Motor

Package: 40 g / PC

Dimension (units:mm)



Characteristic Curves



SPECIFICATION

Model	Voltage (V)	Operating Voltage Range(VDC)	Current (A)	Speed (RPM)	Air Flow (CFM)	Pressure (in-H ₂ O)	Noise (dB)
CDB123828LB	12	7.0 – 13.2	0.11	8000	9.44	0.39	38
CDB123828MB	12	7.0 – 13.2	0.15	10000	12.46	0.63	44
CDB123828HB	12	7.0 – 13.2	0.29	13000	16.3	1.02	51
CDB123828XB	12	7.0 – 13.2	0.48	15000	19.16	1.37	55
CDB123828UB	12	7.0 – 13.2	0.85	17000	20.8	1.67	59