



# □ 40x40x10 mm



**Frame:** Plastic

**Impeller:** Plastic Material UL94V-0

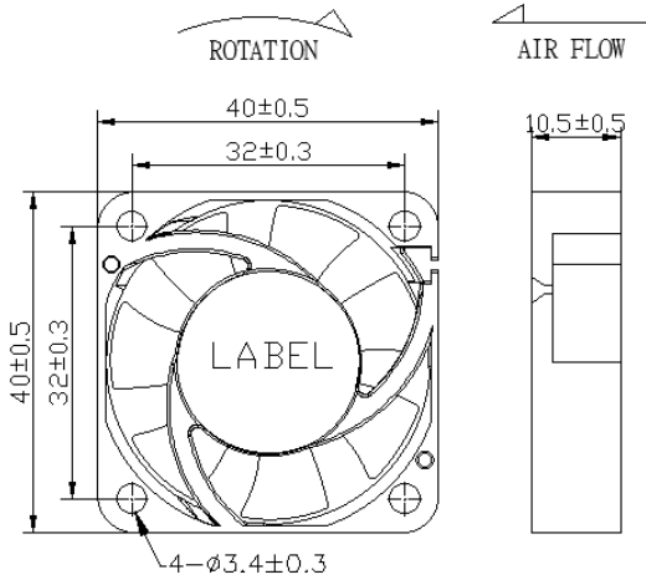
**Ambient Temperature Range:** -10°C ~ +70°C

**Bearing:** Ball

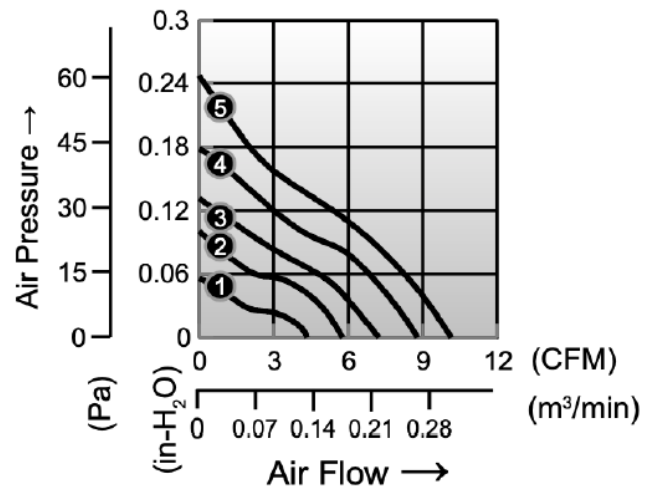
**Motor Structure:** DC Brushless Motor

**Package:** 20 g / PC

## Dimension (units:mm)



## Characteristic Curves



Model	Voltage (V)	Operating Voltage Range(VDC)	Current (A)	Speed (RPM)	Air Flow (CFM)	Pressure (in-H <sub>2</sub> O)	Noise (dB)
CD054010LB	5	4.5 – 5.5	0.14	4000	4.75	0.06	21
CD054010MB	5	4.5 – 5.5	0.18	6000	7.24	0.11	26
CD054010HB	5	4.5 – 5.5	0.29	8000	9.25	0.20	35
CD124010MB	12	7.0 – 13.2	0.10	4000	4.75	0.06	21
CD124010HB	12	7.0 – 13.2	0.11	6000	7.24	0.11	26
CD124010XB	12	7.0 – 13.2	0.14	8000	9.25	0.20	33
CD124010UB	12	7.0 – 13.2	0.18	10000	12.23	0.33	39
CD244010LB	24	14.0 – 26.4	0.06	4000	4.75	0.06	21
CD244010MB	24	14.0 – 26.4	0.09	8000	9.25	0.20	33
CD244010HB	24	14.0 – 26.4	0.09	10000	12.23	0.33	39