



□ 40x40x15 mm



Frame: Plastic

Impeller: Plastic Material UL94V-0

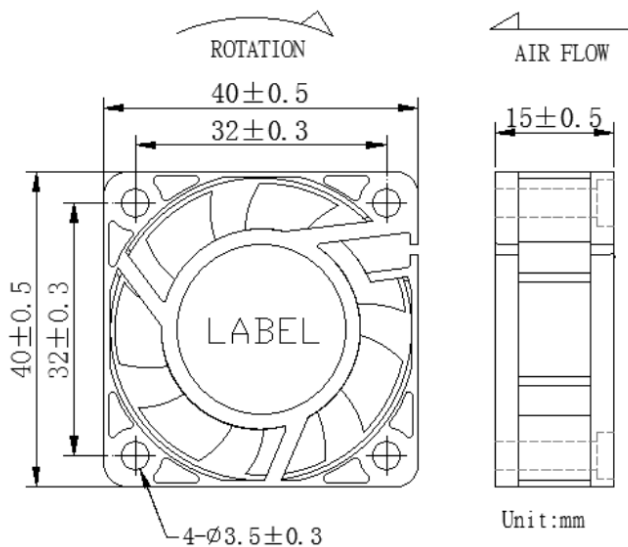
Ambient Temperature Range: -10°C ~ +70°C

Bearing: FMB/ball

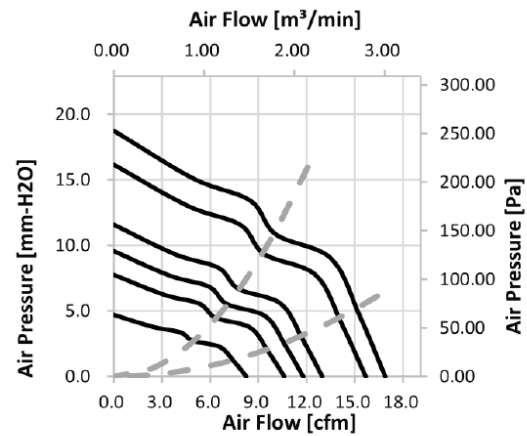
Motor Structure: DC Brushless Motor

Package: 23g / PC

Dimension (units:mm)



Characteristic Curves



SPECIFICATION

Model	Voltage (V)	Operating Voltage Range(VDC)	Current (A)	Speed (RPM)	Air Flow (CFM)	Pressure (in-H ₂ O)	Noise (dB)
CD054015JB	5	4.5 – 5.5	0.25	7000	8.26	0.19	27
CD054015LB	5	4.5 – 5.5	0.35	9000	10.62	0.31	34
CD054015MB	5	4.5 – 5.5	0.42	10000	11,8	0.38	36
CD054015LB	12	4.5 – 5.5	0.12	9000	10.62	0.31	34
CD054015MB	12	7.0 – 13.2	0.15	10000	11.80	0.38	36
CD124015HB	12	7.0 – 13.2	0.18	11000	12.98	0.46	40
CD124015XB	12	7.0 – 13.2	0.32	13000	15.67	0.64	48
CD244015MB	24	14.0 – 26.4	0.09	10000	11.80	0.38	36
CD244015HB	24	14.0 – 26.4	0.12	11000	12.98	0.46	40
CD244015XB	24	14.0 – 26.4	0.17	13000	15.67	0.64	48