



□ 40x40x28 mm



Frame: Plastic

Impeller: Plastic Material UL94V-0

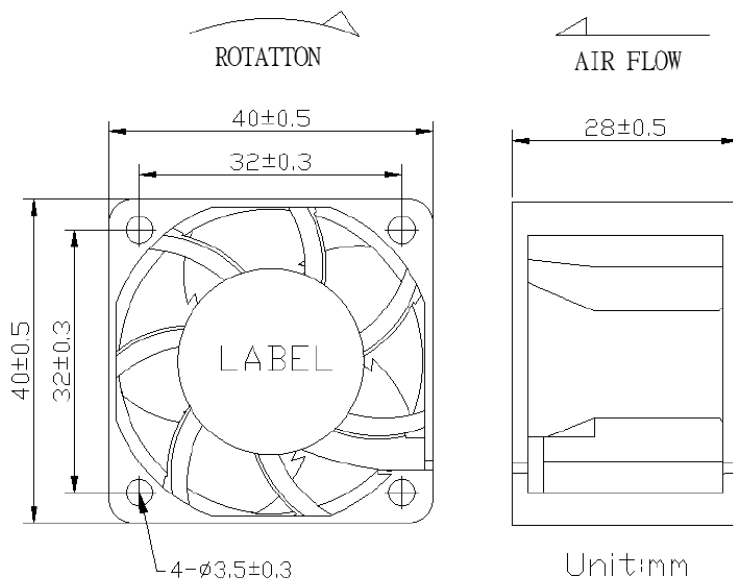
Ambient Temperature Range: -10°C ~ +70°C

Bearing: Ball

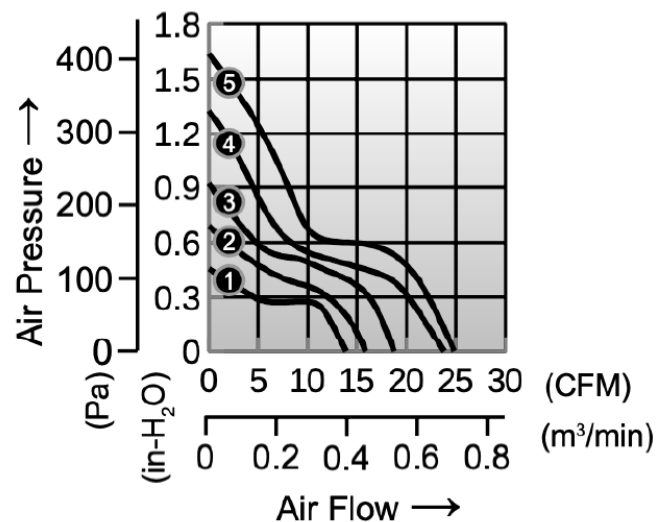
Motor Structure: DC Brushless Motor

Package: 58 g / PC

Dimension (units:mm)



Characteristic Curves



SPECIFICATION

Model	Voltage (V)	Operating Voltage Range(VDC)	Current (A)	Speed (RPM)	Air Flow (CFM)	Pressure (in-H ₂ O)	Noise (dB)
CDB124028LB	12	7.0 – 13.2	0.14	8000	13.8	0.46	38
CDB124028MB	12	7.0 – 13.2	0.26	9500	15.9	0.69	44
CDB124028HB	12	7.0 – 13.2	0.35	11000	18.7	0.92	51
CDB124028XB	12	7.0 – 13.2	0.55	13000	23.8	1.32	54
CDB124028UB	12	7.0 – 13.2	0.64	15000	24.8	1.64	58
CDB244028LB	24	14.0 – 26.4	0.10	8000	13.8	0.46	38
CDB244028MB	24	14.0 – 26.4	0.15	9500	15.9	0.69	44
CDB244028HB	24	14.0 – 26.4	0.20	11000	18.7	0.92	51
CDB244028XB	24	14.0 – 26.4	0.27	13000	23.8	1.32	54