



# □ 40x40x28 mm



**Frame:** Plastic

**Impeller:** Plastic Material UL94V-0

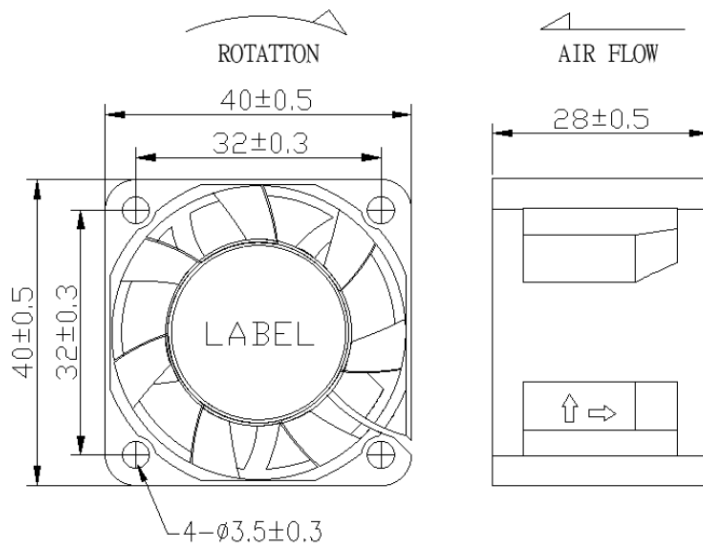
**Ambient Temperature Range:** -10°C ~ +70°C

**Bearing:** ball

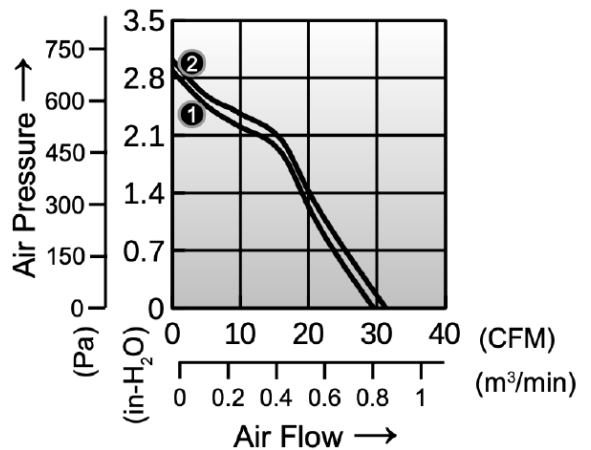
**Motor Structure:** DC Brushless Motor

**Package:** 50g / PC

## Dimension (units:mm)



## Characteristic Curves



## SPECIFICATION

Model	Voltage (V)	Operating Voltage Range(VDC)	Current (A)	Speed (RPM)	Air Flow (CFM)	Pressure (in-H <sub>2</sub> O)	Noise (dB)
CDD124028XB	12	7.0 – 13.2	0.80	18000	25.30	2.12	59
CDD124028UB	12	7.0 – 13.2	1.10	21000	29.50	2.89	62
CDD124028WB	12	7.0 – 13.2	1.40	23000	31.30	3.02	64
CDD244028XB	24	14.0 – 26.4	0.40	18000	25.30	2.12	59
CDD244028UB	24	14.0 – 26.4	0.60	21000	29.50	2.89	62
CDD244028WB	24	14.0 – 26.4	0.80	23000	31.30	3.02	64