



# □ 50x50x10 mm



**Frame:** Plastic

**Impeller:** Plastic Material UL94V-0

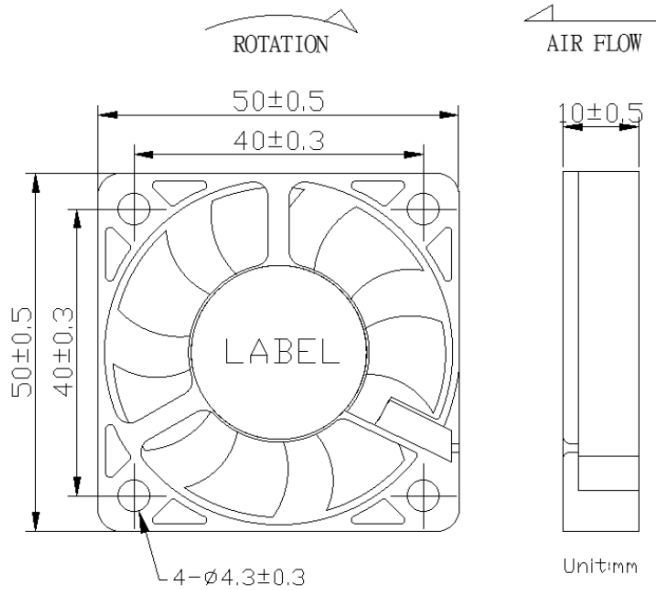
**Ambient Temperature Range:** -10°C ~ +70°C

**Bearing:** Ball, FMB,

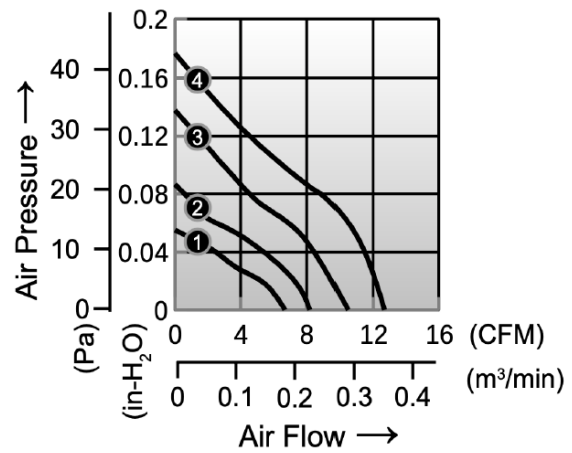
**Motor Structure:** DC Brushless Motor

**Package:** 32 g / PC

## Dimension (units:mm)



## Characteristic Curves



## SPECIFICATION

Model	Voltage (V)	Current (A)	Speed (RPM)	Air Flow (CFM)	Pressure (in-H <sub>2</sub> O)	Noise (dB)
CD055010JB	5	0.08	3500	6.70	0.05	17
CD055010LB	5	0.12	4500	8.20	0.09	23
CD055010MB	5	0.16	5500	10.50	0.14	29
CD055010HB	5	0.20	6500	12.70	0.18	34
CD125010JB	12	0.05	3500	6.70	0.05	17
CD125010LB	12	0.07	4500	8.20	0.09	23
CD125010MB	12	0.08	5500	10.50	0.14	29
CD125010HB	12	0.10	6500	12.70	0.18	34
CD245010JB	24	0.06	3500	6.70	0.05	17
CD245010LB	24	0.07	4500	8.20	0.09	23
CD245010MB	24	0.08	5500	10.50	0.14	29
CD245010HB	24	0.09	6500	12.70	0.18	34