



□ 50x50x20 mm



Frame: Plastic

Impeller: Plastic Material UL94V-0

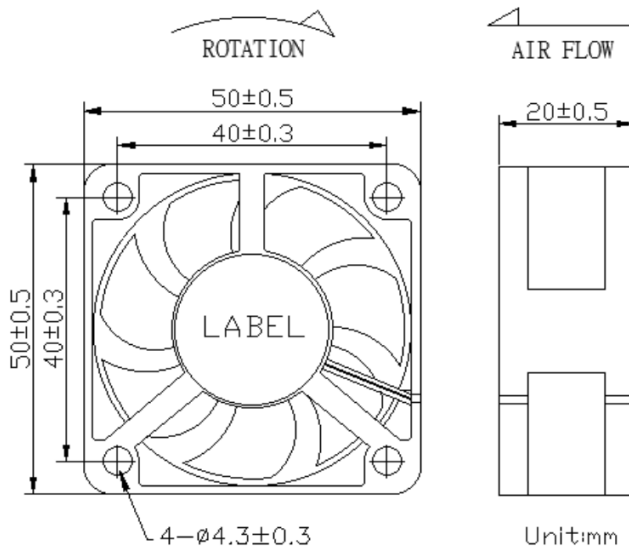
Ambient Temperature Range: -10°C ~ +70°C

Bearing: Ball, Sleeve

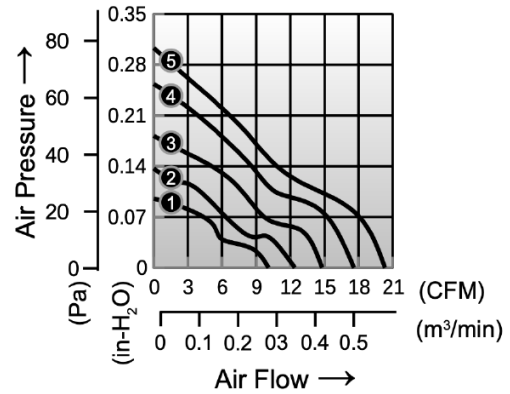
Motor Structure: DC Brushless Motor

Package: 40 g / PC

Dimension (units:mm)



Characteristic Curves



SPECIFICATION

Model	Voltage (V)	Operating Voltage Range(VDC)	Current (A)	Speed (RPM)	Air Flow (CFM)	Pressure (in-H ₂ O)	Noise (dB)
CD125020IB	12	7.0 – 13.2	0.05	4000	10.10	0.10	24
CD125020LB	12	7.0 – 13.2	0.15	5600	14.80	0.19	32
CD125020HB	12	7.0 – 13.2	0.25	7000	18,50	0.30	37
CD245020IB	24	14.0 – 26.4	0.03	4000	10.10	0.10	24
CD245020LB	24	14.0 – 26.4	0.08	5600	14.80	0.19	32
CD245020HB	24	14.0 – 26.4	0.1	7000	18,50	0.30	37