



# □ 60x60x10 mm

**Frame:** Plastic

**Impeller:** Plastic Material UL94V-0

**Ambient Temperature Range:** -10°C ~ +70°C

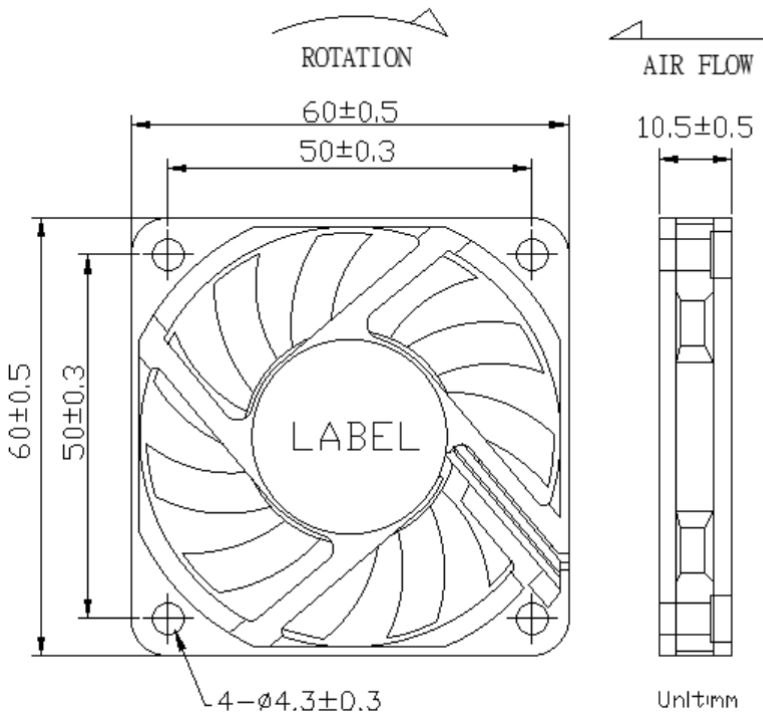
**Bearing:** Ball, FMB

**Motor Structure:** DC Brushless Motor

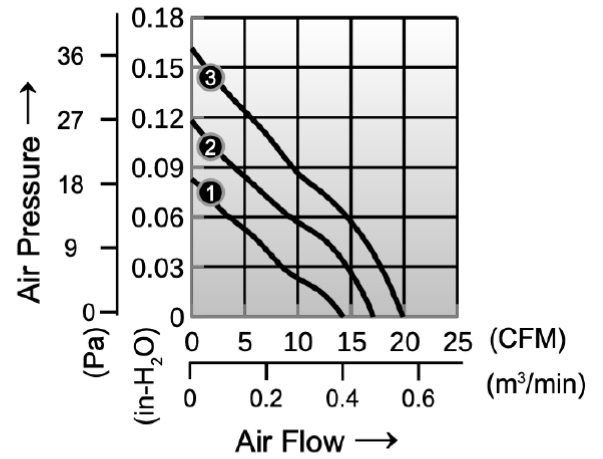
**Package:** 37 g / PC



## Dimension (units:mm)



## Characteristic Curves



## SPECIFICATION

Model	Voltage (V)	Operating Voltage Range(VDC)	Current (A)	Speed (RPM)	Air Flow (CFM)	Pressure (in-H <sub>2</sub> O)	Noise (dB)
CD056010LB	5	4.5 – 5.5	0.30	3500	14.3	0.08	28
CD056010MB	5	4.5 – 5.5	0.38	4200	17.1	0.12	33
CD056010HB	5	4.5 – 5.5	0.42	4900	19.9	0.16	37
CD126010LB	12	7.0 – 13.2	0.14	3500	14.3	0.08	28
CD126010MB	12	7.0 – 13.2	0.17	4200	17.1	0.12	33
CD126010HB	12	7.0 – 13.2	0.20	4900	19.9	0.16	37
CD246010LB	24	14.0 – 26.4	0.05	3500	14.3	0.08	28
CD246010MB	24	14.0 – 26.4	0.08	4200	17.1	0.12	33
CD246010HB	24	14.0 – 26.4	0.10	4900	19.9	0.16	37