



□ 60x60x15 mm



Frame: Plastic

Impeller: Plastic Material UL94V-0

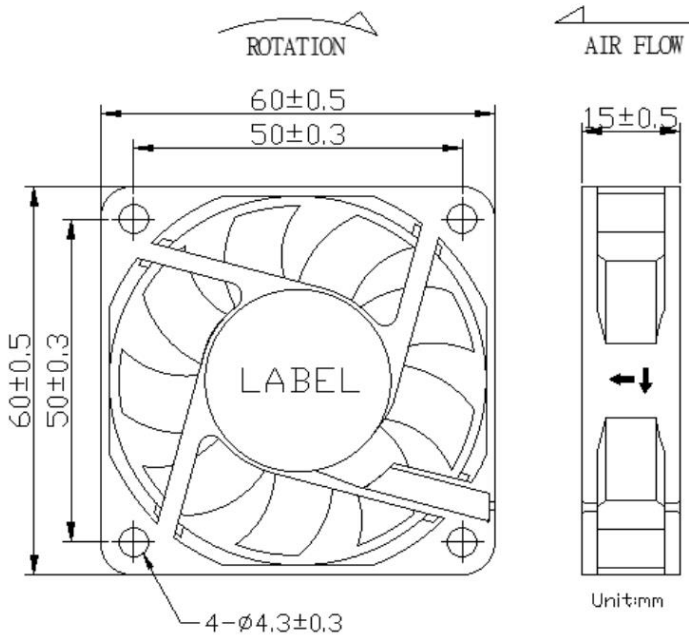
Ambient Temperature Range: -10°C ~ +70°C

Bearing: Ball, FMB

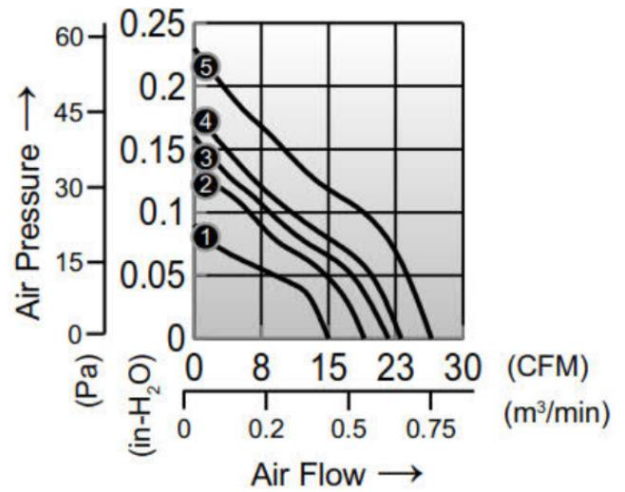
Motor Structure: DC Brushless Motor

Package: 44 g / PC

Dimension (units:mm)



Characteristic Curves



SPECIFICATION

Model	Voltage (V)	Operating Voltage Range(VDC)	Current (A)	Speed (RPM)	Air Flow (CFM)	Pressure (in-H2O)	Noise (dB)
CD126015JB	12	7.0 – 13.2	0.08	3000	15.0	0.09	28
CD126015LB	12	7.0 – 13.2	0.12	3500	19.0	0.14	33
CD126015MB	12	7.0 – 13.2	0.18	4000	21.7	0.16	37
CD126015HB	12	7.0 – 13.2	0.20	4500	23.1	0.18	40
CD126015XB	12	7.0 – 13.2	0.24	5000	26.5	0.23	42
CD246015LB	24	14.0 – 26.4	0.07	3500	19.0	0.14	33
CD246015MB	24	14.0 – 26.4	0.10	4000	21.7	0.16	37
CD246015HB	24	14.0 – 26.4	0.12	4500	23.1	0.18	40
CD246015XB	24	14.0 – 26.4	0.14	5000	26.5	0.23	42